

Gas presence detector, model GPD-1000

EN

Gasdetektor, Typ GPD-1000

DE

Détecteur de présence de gaz, type GPD-1000

FR

Detector de gas, modelo GPD-1000

ES

CE



Gas presence detector, GPD-1000

EN	Operating instructions model GPD-1000	Page	3 - 20
DE	Betriebsanleitung Typ GPD-1000	Seite	21 - 38
FR	Mode d'emploi type GPD-1000	Page	39 - 56
ES	Manual de instrucciones modelo GPD-1000	Página	57 - 74

© 12/2018 WIKA Alexander Wiegand SE & Co. KG
 All rights reserved. / Alle Rechte vorbehalten.
 WIKA® is a registered trademark in various countries.
 WIKA® ist eine geschützte Marke in verschiedenen Ländern.

Prior to starting any work, read the operating instructions!
 Keep for later use!

Vor Beginn aller Arbeiten Betriebsanleitung lesen!
 Zum späteren Gebrauch aufbewahren!

Lire le mode d'emploi avant de commencer toute opération !
 A conserver pour une utilisation ultérieure !

¡Leer el manual de instrucciones antes de comenzar cualquier trabajo!
 ¡Guardar el manual para una eventual consulta!

Contents

1. General information	4
2. Design and function	5
2.1 Overview	5
2.2 Description	5
2.3 Scope of delivery.	6
3. Safety	6
3.1 Explanation of symbols.	6
3.2 Intended use	7
3.3 Improper use	7
3.4 Responsibility of the operator	8
3.5 Personnel qualification	8
3.6 Personal protective equipment	9
3.7 Handling of insulating gases and gas mixtures.	9
3.8 Valid standards and directives	10
3.9 Labelling, safety marks.	11
4. Transport, packaging and storage	12
4.1 Transport	12
4.2 Packaging and storage.	12
5. Commissioning, operation	13
5.1 Overview	13
5.2 Switching on and off.	13
5.3 Setting sensitivity level	14
5.4 Detecting leaks	14
5.5 Batteries.	14
5.6 Sensor	15
6. Faults	16
7. Maintenance, cleaning	16
7.1 Maintenance	16
7.2 Cleaning.	16
8. Dismounting, return and disposal	17
8.1 Dismounting	17
8.2 Return	17
8.3 Disposal.	18
9. Specifications	19
10. Accessories	20

1. General information

EN

- The gas presence detector described in the operating instructions has been designed and manufactured using state-of-the-art technology. All components are subject to stringent quality and environmental criteria during production. Our management systems are certified to ISO 9001 and ISO 14001.
- These operating instructions contain important information on handling the instrument. Working safely requires that all safety instructions and work instructions are observed.
- Observe the relevant local accident prevention regulations and general safety regulations for the instrument's range of use.
- The operating instructions are part of the product and must be kept in the immediate vicinity of the instrument and readily accessible to skilled personnel at any time. Pass the operating instructions on to the next operator or owner of the instrument.
- Skilled personnel must have carefully read and understood the operating instructions prior to beginning any work.
- The general terms and conditions contained in the sales documentation shall apply.
- Subject to technical modifications.
- Further information:

2. Design and function

2.1 Overview



EN

- ① Flexible gooseneck
- ② Control button
- ③ Case
- ④ Sensor
- ⑤ Transport cover

2.2 Description

The model GPD-1000 gas presence detector is used for the detection of the smallest concentrations of SF₆ and alternative gas and is thus ideally suited for the location of leaks. During operation, the approximate size of the leaks can be quantified via an audio signal.

Leak detection with this unit is through a flexible gooseneck, which in turn has a gas inlet on the front. An interchangeable sensor tip ensures the availability of the instrument at all times. The pump in the console case provides continuous flow of the sucked-in gas mixture through the sensor of the instrument. The gas presence detector has been developed in order to warn personnel of the increased presence of SF₆ or alternative gas concentrations and to locate larger leakages in internal and open-air applications. Through the visible and audible alarms, it can prevent the operator from being exposed to impermissibly high concentrations of SF₆ and alternative gas in the atmosphere.

Key features

- Indication of SF₆ and alternative gas concentrations in the environment via acoustic or visual signals
- Simple handling and good operability
- Low to no maintenance effort

EN

2.3 Scope of delivery

- Gas presence detector model GPD-1000
- Operating instructions
- Replacement sensor in the battery compartment

Cross-check scope of delivery with delivery note.

3. Safety

3.1 Explanation of symbols



DANGER!

... indicates a directly dangerous situation resulting in serious injury or death, if not avoided.



WARNING!

... indicates a potentially dangerous situation that can result in serious injury or death, if not avoided.



CAUTION!

... indicates a potentially dangerous situation that can result in light injuries or damage to property or the environment, if not avoided.



Information

... points out useful tips, recommendations and information for efficient and trouble-free operation.

3.2 Intended use

The model GPD-1000 gas presence detector is suitable for the locating and quantification of leaks on equipment filled with SF₆ or alternative gas.

Operational safety is thus only ensured when using the instrument for the detection of SF₆ and alternative gas. The instrument must never come into contact with aggressive gases or liquids.

Only use the instrument in applications that lie within its technical performance limits (e.g. max. ambient temperature, material compatibility, ...).

→ For performance limits, see chapter 9 "Specifications"

This instrument is not permitted to be used in hazardous areas!

The model GPD-1000 gas presence detector has been designed and built solely for the intended use described here, and may only be used accordingly.

The technical specifications contained in these operating instructions must be observed. Improper handling or operation of the instrument outside of its technical specifications requires the instrument to be taken out of service immediately and inspected by an authorised WIKA service engineer.

The manufacturer shall not be liable for claims of any type based on operation contrary to the intended use.

3.3 Improper use



WARNING!

Injuries through improper use

Improper use of the instrument can lead to hazardous situations and injuries.

- ▶ Refrain from unauthorised modifications to the instrument.
- ▶ Do not use the instrument within hazardous areas.

In particular, avoid the intake of any type of liquid. This will damage the sensor.

Any use beyond or different to the intended use is considered as improper use.

3.4 Responsibility of the operator

The instrument is used in the industrial sector. The operator is therefore responsible for legal obligations regarding safety at work.

EN

The safety instructions within these operating instructions, as well as the safety, accident prevention and environmental protection regulations for the application area must be maintained.

The operator is obliged to maintain the product label in a legible condition.

To ensure safe working on the instrument, the operating company must ensure

- that suitable first-aid equipment is available and aid is provided whenever required.
- that the operating personnel are regularly instructed in all topics regarding work safety, first aid and environmental protection and know the operating instructions and in particular, the safety instructions contained therein.
- that the instrument is suitable for the particular application in accordance with its intended use.
- that personal protective equipment is available.

3.5 Personnel qualification



WARNING!

Risk of injury should qualification be insufficient

Improper handling can result in considerable injury and damage to property.

- ▶ The activities described in these operating instructions may only be carried out by skilled personnel who have the qualifications described below.

Skilled personnel

Skilled personnel, authorised by the operator, are understood to be personnel who, based on their technical training, knowledge of measurement and control technology and on their experience and knowledge of country-specific regulations, current standards and directives, are capable of carrying out the work described and independently recognising potential hazards.

Specifically when using SF₆ gas

The plant operator must ensure that the handling of SF₆ gas is only carried out by a qualified company or by qualified persons who have been specifically trained in accordance with IEC 62271-4:2013 or IEC 60480, section 10.3.1.

3.6 Personal protective equipment

The personal protective equipment is designed to protect the skilled personnel from hazards that could impair their safety or health during work. When carrying out the various tasks on and with the instrument, the skilled personnel must wear personal protective equipment.

Follow the instructions displayed in the work area regarding personal protective equipment!

The requisite personal protective equipment must be provided by the operating company.



Safety goggles in accordance with EN 166, class 2, mechanical strength class S

The safety goggles must be worn over the entire period when working on hoses or gas containers (e.g. gas cylinders, tanks). The safety goggles protect the eyes from any flying particles, escaping gas and liquid splashes.



Protective gloves against heat in accordance with EN ISO 13732-1 and against cold in accordance with EN ISO 13732-3

The protective gloves must be worn over the entire period when working on hoses, gas containers (e.g. gas cylinders, tanks) or components which heat up to over 60 °C.

3.7 Handling of insulating gases and gas mixtures

SF₆ gas is a greenhouse gas which is listed in the Kyoto Protocol. SF₆ gas must not be released into the atmosphere, but must be collected in suitable containers.

Properties of insulating gases

- Colourless and odourless
- Chemically neutral
- Inert
- Not flammable
- Heavier than air
- No toxicity
- No damage to the ozone layer

Detailed information is given in IEC 60376 and IEC 62271-4:2013.

Danger of suffocation caused by insulating gases and gas mixtures

High concentrations of gases can lead to asphyxiation, since breathable air is displaced from the lungs with the inhalation of gas.

Since SF₆ gas is heavier than air, it collects, especially, at ground level or lower-lying rooms below the reference level (e.g. cellars). This is particularly dangerous since SF₆ gas is colourless and odourless and thus may be imperceptible to people.

Danger caused by decomposition products

Insulating gas in electrical systems may contain decomposition products generated by electric arcs:

EN

- Gaseous sulphur fluorides
 - Sulphur hexafluorides
 - Solid and atomized metal fluorides, metal sulphides, metal oxides
 - Hydrogen fluoride
 - Sulphur dioxide
-
- Decomposition products can be harmful to health.
 - They can cause poisoning by inhalation, ingestion or contact with the skin.
 - They may be irritating to the eyes, the respiratory system or the skin and burn them.
 - Inhalation of large quantities may damage the lungs.

Observe the following safety instructions in order to avoid danger from insulating gas:

- Wear personal protective equipment.
- Read the material safety data sheet of the gas supplier.
- With large leaks, evacuate the area quickly.
- Ensure good ventilation.

3.8 Valid standards and directives

Installation, assembly, commissioning:

- DGUV Information 213-013 (SF₆ systems and equipment)
- IEC 62271-4:2013 (High-voltage switchgear and controlgear - Part 4: Handling procedures for sulphur hexafluoride (SF₆) and its mixtures)
- IEC 60376:2018 (Specification of technical grade sulphur hexafluoride (SF₆) and complementary gases to be used in its mixtures for use in electrical equipment)
- IEC 60480 (Specifications for the re-use of sulphur hexafluoride (SF₆) and its mixtures in electrical equipment)
- CIGRE report 276, 2005 (Guide for the preparation of customised "Practical SF₆ handling instructions")

Leaks during operation:

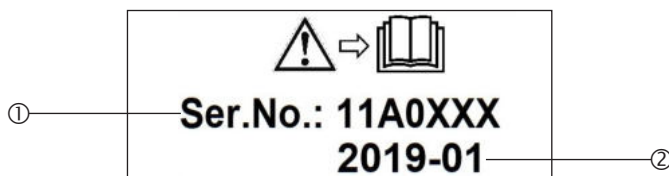
- IEC 60376:2018 (Specification of technical grade sulphur hexafluoride (SF₆) and complementary gases to be used in its mixtures for use in electrical equipment)
- IEC 60480 (Specifications for the re-use of sulphur hexafluoride (SF₆) and its mixtures in electrical equipment)
- CIGRE 2002 ("SF₆ gas in the electrical industry")

Repair work and maintenance:

- IEC 62271-4:2013 (High-voltage switchgear and controlgear - Part 4: Handling procedures for sulphur hexafluoride (SF₆) and its mixtures)
- CIGRE 1991 (Handling of SF₆ and its decomposition products in Gas Insulated Switchgear (GIS))
- CIGRE report 276, 2005 (Guide for the preparation of customised “Practical SF₆ handling instructions”)
- CIGRE report 163, 2000 (Guide for SF₆ gas mixtures)


3.9 Labelling, safety marks

Product label (example)



- ① Serial number
- ② Date of manufacture

Explanation of symbols

 Before mounting and commissioning the instrument, ensure you read the operating instructions!

4. Transport, packaging and storage

4.1 Transport

Check the gas presence detector for any damage that may have been caused by transport.

Obvious damage must be reported immediately.



CAUTION!

Damage through improper transport

With improper transport, a high level of damage to property can occur.

- ▶ When unloading packed goods upon delivery as well as during internal transport, proceed carefully and observe the symbols on the packaging.
- ▶ With internal transport, observe the instructions in chapter 4.2 “Packaging and storage”.

4.2 Packaging and storage

Do not remove packaging until just before mounting.

Keep the packaging as it will provide optimum protection during transport (e.g. change in installation site, sending for repair).

Permissible conditions at the place of storage:

- Storage temperature: 0 ... 70 °C [32 ... 158 °F]
- Air humidity: 35 ... 85 % relative humidity (non-condensing)

Avoid exposure to the following factors:

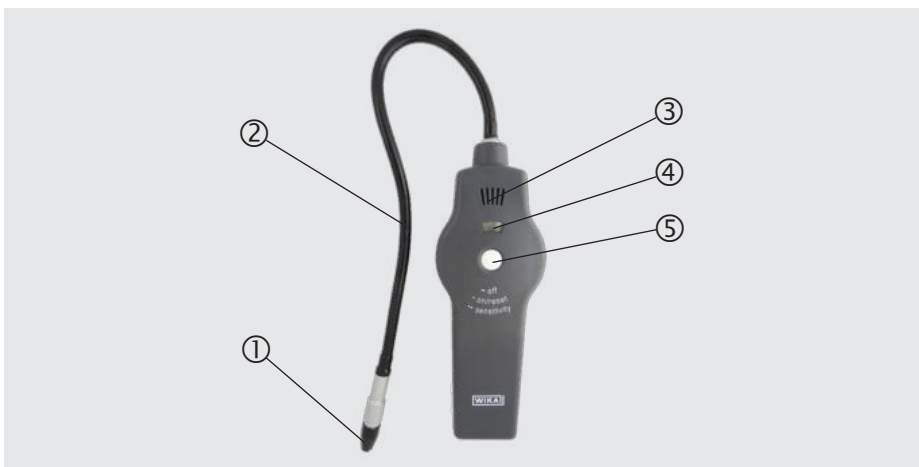
- Direct sunlight or proximity to hot objects
- Mechanical vibration, mechanical shock (putting it down hard)
- Soot, vapour, dust and corrosive gases
- Hazardous environments, flammable atmospheres

Store the instrument in its original packaging in a location that fulfils the conditions listed above. If the original packaging is not available, pack and store the instrument as described below:

1. Wrap the instrument in an antistatic plastic film.
2. Place the instrument, along with the shock-absorbent material, in the packaging.
3. If stored for a prolonged period of time (more than 30 days), place a bag containing a desiccant inside the packaging.

5. Commissioning, operation

5.1 Overview



EN

Legend

- ① Sensor
- ② Gooseneck
- ③ Speaker
- ④ LED
- ⑤ Control button

5.2 Switching on and off

Switching on

1. Press the control button (5) once in order to switch the instrument on.
⇒ The LED blinks orange.
2. Automatic adjustment in progress.
⇒ The LED blinks orange again until the process has finished.
3. Automatic adjustment has finished.
⇒ The LED blinks green periodically.
⇒ The speaker initiates a light tone.
⇒ The gas presence detector is ready for operation.

Switching off

Press the control button (5) for 3 seconds until the instrument stops making any noise and the LED has gone out. The gas presence detector switches itself off after approx. 5 minutes of inactivity in order to save the battery.

5.3 Setting sensitivity level

The model GPD-1000 has a standard and a high sensitivity level, which can be changed during operation with the help of the control button (double press). The standard sensitivity is suitable for the detection of most leaks, with a sensitivity of 14 g/year. In the event of there being a small leak, it is possible to set the sensitivity to 3 g/year.

EN

Setting standard sensitivity

1. Ensure that the instrument is ready for operation (→ see chapter 5.2 “Switching on and off”).
2. Press the control button (5) once in order to set the sensitivity of the instrument to the current environment.
 - ⇒ The LED blinks orange briefly.
 - ⇒ Standard sensitivity is confirmed.
 - ⇒ Leakages below the set sensitivity will now be ignored.

Setting high sensitivity

1. Ensure that standard sensitivity is already set.
2. Double press the control button (5) in order to set the sensitivity for the detection of smaller leakages.
 - ⇒ The LED blinks orange briefly and then green again.
 - ⇒ In parallel to this, a high tone will sound.
 - ⇒ High sensitivity is confirmed.
 - ⇒ Small quantities of escaping SF₆ gases can now be detected.

5.4 Detecting leaks

For the correct detection of SF₆ and alternative gases, the sensor must be held in the vicinity of the points to be tested (distance of approx. 1 to 2 cm). The sensor should be guided to the suspected location at a speed of approximately 5 cm per second. The successful detection of a leak is given audibly and visibly at the same time. Depending on the quantity of the detected gases, the frequency and the pitch of the given tone, and also the blinking of the indicator, increase.

5.5 Batteries

Inserting/replacing batteries

1. Switch the instrument off (→ see chapter 5.2 “Switching on and off”).
2. Carefully remove the battery protection cover from the back of the instrument.
 - During this action, the replacement sensor stored within can fall out of the battery compartment.
3. Insert two AA batteries, taking care of the polarity.
4. Reclose the battery protection cover.

Checking the battery status

The LED built into the instrument signals the current battery status during operation.

The LED adopts different colours and signal variants for this:

- The LED blinks green: Batteries are charged
- The LED blinks orange: Batteries should be changed
- The LED is lit red: Batteries are almost empty
⇒ In addition, the speaker emits a 5 second long alarm, just before the gas presence detector switches itself off.

5.6 Sensor

General

The sensor has a service life of 25 to 30 hours of continuous usage. Should the sensor require changing, it indicates this as follows:

1. The gas presence detector signals defective or impossible measurement results, even in clean air.
2. The built-in speaker emits a constant siren sound.



If the sensor is exposed to a similar gas concentration for more than 120 seconds, the gas presence detector may become acclimatised to it, which affects the measurement result. To prevent or eliminate this effect, the gas presence detector should be restarted or placed in an uncontaminated environment (no SF₆ or alternative gas).

Replacing the sensor

1. Ensure that the instrument is switched off (→ see chapter 5.2 "Switching off").
2. Remove the battery protection cover and take out the replacement sensor held inside.
3. Unscrew the used/defective sensor from the tip of the measuring probe (anticlockwise).
4. Screw the replacement sensor onto the tip of the measuring probe (clockwise).

6. Faults

EN



CAUTION!

Physical injuries and damage to property and the environment

If faults cannot be eliminated by means of the listed measures, the instrument must be taken out of operation immediately.

- ▶ Ensure that pressure or signal is no longer present and protect against accidental commissioning.
- ▶ Contact the manufacturer.
- ▶ If a return is needed, please follow the instructions given in chapter 8.2 "Return".



For contact details see chapter 1 "General information" or the back page of the operating instructions.

Faults	Causes	Measures
The LED blinks red-green alternately and an audible alarm rings.	Sensor is damaged.	Remove the damaged sensor and insert a replacement sensor (→ see chapter 5.6 "Sensor").
The LED lights red and an audible signal sounds for 5 seconds.	Battery level is too low.	Replace old batteries with new AA batteries (→ see chapter 5.5 "Batteries").

7. Maintenance, cleaning

7.1 Maintenance

This gas presence detector is maintenance-free.

Repairs must only be carried out by the manufacturer.

This does not apply to the battery or sensor replacement.

7.2 Cleaning



CAUTION!

Physical injuries and damage to property and the environment

Improper cleaning may lead to physical injuries and damage to property and the environment. Residual media in the dismantled instrument can result in a risk to persons, the environment and equipment.

- ▶ Carry out the cleaning process as described below.

Suitable cleaning agents

- Water
- Conventional dishwashing detergent

Cleaning the instrument

1. Prior to cleaning, switch off the instrument.
2. Clean the instrument with a soft moist cloth.



CAUTION!

Unsuitable cleaning agents

Improper cleaning may lead to damage to the instrument!

- ▶ Do not use any aggressive cleaning agents.
- ▶ Do not use any hard or pointed objects for cleaning.
- ▶ Do not use any abrasive cloths or sponges

8. Dismounting, return and disposal

8.1 Dismounting



WARNING!

Physical injuries and damage to property and the environment caused by hazardous decomposition products

Upon contact with hazardous media (e.g. oxygen, acetylene, flammable or toxic substances), harmful media (e.g. corrosive, toxic, carcinogenic, radioactive), and also with refrigeration plants and compressors, there is a danger of physical injuries and damage to property and the environment.

- ▶ Wear the requisite protective equipment (see chapter 3.6 "Personal protective equipment").

8.2 Return

Strictly observe the following when shipping the instrument:

All instruments delivered to WIKA must be free from any kind of hazardous substances (acids, bases, solutions, etc.) and must therefore be cleaned before being returned.

When returning the instrument, use the original packaging or a suitable transport packaging.

8. Dismounting, return and disposal

To avoid damage:

1. Wrap the instrument in an antistatic plastic film.
2. Place the instrument, along with the shock-absorbent material, in the packaging. Place shock-absorbent material evenly on all sides of the transport packaging.
3. If possible, place a bag containing a desiccant inside the packaging.
4. Label the shipment as carriage of a highly sensitive measuring instrument.



Information on returns can be found under the heading “Service” on our local website.

8.3 Disposal

Incorrect disposal can put the environment at risk.

Dispose of instrument components and packaging materials in an environmentally compatible way and in accordance with the country-specific waste disposal regulations.



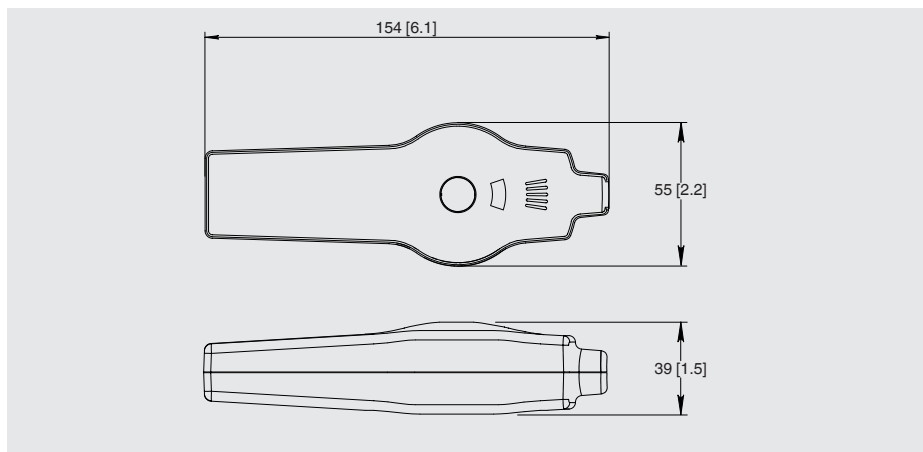
Do not dispose of with household waste. Ensure a proper disposal in accordance with national regulations.

9. Specifications

Specifications

Specifications	
Dimensions	154 x 39 x 55 mm [6.1 x 1.5 x 2.2 in]
Weight	190 g
Batteries	2 x AA batteries
Operating time	40 hours
Sensitivity	< 3g/year [0.1 oz/yr]
Operating time sensor	approx. 30 hours
Operating temperature	0 ... 50 °C [32 ... 122 °F]
Warm-up time	< 2 seconds
Response time	Immediately
Reset time	Immediately
Sensor extension	300 mm [11.8 in]
Warranty	2 years
Area of application	Leak detection
Detection limit	3 ppm _v
Battery life	35 hours

Dimensions in mm [in]



10. Accessories

10. Accessories

EN

Description	Order number
Replacement sensor	14291469

WIKA accessories can be found online at www.wika.com.

Inhalt

1. Allgemeines	22
2. Aufbau und Funktion	23
2.1 Überblick	23
2.2 Beschreibung	23
2.3 Lieferumfang	24
3. Sicherheit	24
3.1 Symbolerklärung	24
3.2 Bestimmungsgemäße Verwendung	25
3.3 Fehlgebrauch	25
3.4 Verantwortung des Betreibers.	26
3.5 Personalqualifikation.	26
3.6 Persönliche Schutzausrüstung	27
3.7 Umgang mit Isoliergasen und Gasgemischen	27
3.8 Geltende Normen und Richtlinien	28
3.9 Beschilderung, Sicherheitskennzeichnungen	29
4. Transport, Verpackung und Lagerung	30
4.1 Transport.	30
4.2 Verpackung und Lagerung	30
5. Inbetriebnahme, Betrieb	31
5.1 Übersicht.	31
5.2 Ein- und ausschalten.	31
5.3 Sensitivitätsstufe einstellen	32
5.4 Leckagen erfassen	32
5.5 Batterien	32
5.6 Sensor	33
6. Störungen	34
7. Wartung, Reinigung	34
7.1 Wartung	34
7.2 Reinigung	34
8. Demontage, Rücksendung und Entsorgung	35
8.1 Demontage	35
8.2 Rücksendung	35
8.3 Entsorgung	36
9. Technische Daten	37
10. Zubehör	38

DE

1. Allgemeines

- Der in der Betriebsanleitung beschriebene Gasdetektor wird nach dem aktuellen Stand der Technik konstruiert und gefertigt. Alle Komponenten unterliegen während der Fertigung strengen Qualitäts- und Umweltkriterien. Unsere Managementsysteme sind nach ISO 9001 und ISO 14001 zertifiziert.
- Diese Betriebsanleitung gibt wichtige Hinweise zum Umgang mit dem Gerät. Voraussetzung für sicheres Arbeiten ist die Einhaltung aller angegebenen Sicherheitshinweise und Handlungsanweisungen.
- Die für den Einsatzbereich des Gerätes geltenden örtlichen Unfallverhütungsvorschriften und allgemeinen Sicherheitsbestimmungen einhalten.
- Die Betriebsanleitung ist Produktbestandteil und muss in unmittelbarer Nähe des Gerätes für das Fachpersonal jederzeit zugänglich aufbewahrt werden. Betriebsanleitung an nachfolgende Benutzer oder Besitzer des Gerätes weitergeben.
- Das Fachpersonal muss die Betriebsanleitung vor Beginn aller Arbeiten sorgfältig durchgelesen und verstanden haben.
- Es gelten die allgemeinen Geschäftsbedingungen in den Verkaufsunterlagen.
- Technische Änderungen vorbehalten.
- Weitere Informationen:

DE

2. Aufbau und Funktion

2.1 Überblick



- ① Beweglicher Schwanenhals
- ② Bedienknopf
- ③ Gehäuse
- ④ Sensor
- ⑤ Transporthülle

2.2 Beschreibung

Der Gasdetektor Typ GPD-1000 wird für die Detektion von kleinsten SF₆- und Alternativgas-Konzentrationen verwendet und ist damit ideal geeignet für die Lokalisierung von Leckagen. Während des Betriebes kann bereits die ungefähre Größe der Leckage über ein Audiosignal quantifiziert werden.

Die Leckage-Erkennung mit diesem Gerät erfolgt über einen beweglichen Schwanenhals, der über einen Gaseinlass an der Vorderseite verfügt. Eine austauschbare Sensorspitze sichert jederzeit die Verfügbarkeit des Gerätes. Die Pumpe im Konsolengehäuse sorgt für einen kontinuierlichen Durchfluss des angesaugten Gasgemisches durch den Sensor des Gerätes. Der Gasdetektor wurde entwickelt, um Personen vor der erhöhten Anwesenheit von SF₆- oder Alternativgas-Konzentrationen zu warnen und größere Leckagen an Innenraum- und Freiluftanwendungen zu lokalisieren. Durch die visuellen und akustischen Alarme kann verhindert werden, dass der Bediener unzulässig hohen SF₆- und Alternativgas-Konzentrationen in der Atmosphäre ausgesetzt wird.

Hauptmerkmale

- Indikation von SF₆- und Alternativgas-Konzentration in der Umgebung über akustisches und visuelles Signal
- Einfache Handhabung und gute Bedienbarkeit
- Geringer bis kein Wartungsaufwand

DE

2.3 Lieferumfang

- Gasdetektor Typ GPD-1000
- Betriebsanleitung
- Ersatzsensor im Batteriefach

Lieferumfang mit dem Lieferschein abgleichen.

3. Sicherheit

3.1 Symbolerklärung



GEFAHR!

... weist auf eine unmittelbar gefährliche Situation hin, die zum Tod oder zu schweren Verletzungen führt, wenn sie nicht gemieden wird.



WARNUNG!

... weist auf eine möglicherweise gefährliche Situation hin, die zum Tod oder zu schweren Verletzungen führen kann, wenn sie nicht gemieden wird.



VORSICHT!

... weist auf eine möglicherweise gefährliche Situation hin, die zu geringfügigen oder leichten Verletzungen bzw. Sach- und Umweltschäden führen kann, wenn sie nicht gemieden wird.



Information

... hebt nützliche Tipps und Empfehlungen sowie Informationen für einen effizienten und störungsfreien Betrieb hervor.

3.2 Bestimmungsgemäße Verwendung

Der Gasdetektor Typ GPD-1000 eignet sich für die Ortung und Quantifizierung von Leckagen an mit SF₆- und Alternativgas gefüllten Betriebsmitteln.

Die Betriebssicherheit ist nur dann gewährleistet, wenn das Gerät für die Ermittlung von SF₆- und Alternativgas eingesetzt wird. Das Gerät darf nicht mit aggressiven Gasen oder Flüssigkeiten in Berührung kommen.

Das Gerät nur in Anwendungen verwenden, die innerhalb seiner technischen Leistungsgrenzen liegen (z. B. max. Umgebungstemperatur, Materialverträglichkeit, ...).

→ Leistungsgrenzen siehe Kapitel 9 „Technische Daten“

Dieses Gerät ist nicht für den Einsatz in explosionsgefährdeten Bereichen zugelassen!

Der Gasdetektor, Typ GPD-1000 ist ausschließlich für den hier beschriebenen bestimmungsgemäßen Verwendungszweck konzipiert und konstruiert und darf nur dementsprechend verwendet werden.

Die technischen Spezifikationen in dieser Betriebsanleitung sind einzuhalten. Eine unsachgemäße Handhabung oder ein Betreiben des Gerätes außerhalb der technischen Spezifikationen macht die sofortige Stilllegung und Überprüfung durch einen autorisierten WIKA-Servicemitarbeiter erforderlich.

Ansprüche jeglicher Art aufgrund von nicht bestimmungsgemäßer Verwendung sind ausgeschlossen.

3.3 Fehlgebrauch



WARNUNG!

Verletzungen durch Fehlgebrauch

Fehlgebrauch des Gerätes kann zu gefährlichen Situationen und Verletzungen führen.

- ▶ Eigenmächtige Umbauten am Gerät unterlassen.
- ▶ Gerät nicht in explosionsgefährdeten Bereichen einsetzen.

Insbesondere das Ansaugen von Flüssigkeiten jeglicher Art ist zu vermeiden. Dies führt zu einer Beschädigung des Sensors.

Jede über die bestimmungsgemäße Verwendung hinausgehende oder andersartige Benutzung gilt als Fehlgebrauch.

3.4 Verantwortung des Betreibers

Das Gerät wird im gewerblichen Bereich eingesetzt. Der Betreiber unterliegt daher den gesetzlichen Pflichten zur Arbeitssicherheit.

Die Sicherheitshinweise dieser Betriebsanleitung, sowie die für den Einsatzbereich des Gerätes gültigen Sicherheits-, Unfallverhütungs- und Umweltschutzvorschriften einhalten.

DE

Der Betreiber ist verpflichtet das Typenschild lesbar zu halten.

Für ein sicheres Arbeiten am Gerät muss der Betreiber sicherstellen,

- dass eine entsprechende Erste-Hilfe-Ausrüstung vorhanden ist und bei Bedarf jederzeit Hilfe zur Stelle ist.
- dass das Bedienpersonal regelmäßig in allen zutreffenden Fragen von Arbeitssicherheit, Erste Hilfe und Umweltschutz unterwiesen wird, sowie die Betriebsanleitung und insbesondere die darin enthaltenen Sicherheitshinweise kennt.
- dass das Gerät gemäß der bestimmungsgemäßen Verwendung für den Anwendungsfall geeignet ist.
- dass die persönliche Schutzausrüstung verfügbar ist.

3.5 Personalqualifikation



WARNUNG!

Verletzungsgefahr bei unzureichender Qualifikation

Unsachgemäßer Umgang kann zu erheblichen Personen- und Sachschäden führen.

- ▶ Die in dieser Betriebsanleitung beschriebenen Tätigkeiten nur durch Fachpersonal nachfolgend beschriebener Qualifikation durchführen lassen.

Fachpersonal

Das vom Betreiber autorisierte Fachpersonal ist aufgrund seiner fachlichen Ausbildung, seiner Kenntnisse der Mess- und Regelungstechnik und seiner Erfahrungen sowie Kenntnis der landesspezifischen Vorschriften, geltenden Normen und Richtlinien in der Lage, die beschriebenen Arbeiten auszuführen und mögliche Gefahren selbstständig zu erkennen.

Speziell beim Einsatz von SF₆-Gas

Der Betreiber muss sicherstellen, dass die Handhabung von SF₆-Gas durch ein hierzu qualifiziertes Unternehmen oder von gemäß IEC 62271-4:2013 bzw. IEC 60480 Abschnitt 10.3.1 geschulten Mitarbeitern durchgeführt wird.

3.6 Persönliche Schutzausrüstung

Die persönliche Schutzausrüstung dient dazu, das Fachpersonal gegen Gefahren zu schützen, die dessen Sicherheit oder Gesundheit bei der Arbeit beeinträchtigen könnten. Beim Ausführen der verschiedenen Arbeiten an und mit dem Gerät muss das Fachpersonal persönliche Schutzausrüstung tragen.

Im Arbeitsbereich angebrachte Hinweise zur persönlichen Schutzausrüstung befolgen!

Die erforderliche persönliche Schutzausrüstung muss vom Betreiber zur Verfügung gestellt werden.



Schutzbrille nach EN 166 Klasse 2, mechanische Festigkeit Klasse S

Die Schutzbrille muss bei Arbeiten an Schläuchen oder Gasbehältern (z. B. Gaszylinder, Tanks) über die gesamte Dauer hinweg getragen werden. Die Schutzbrille schützt die Augen vor umherfliegenden Teilen, austretendem Gas und Flüssigkeitsspritzern.



Schutzhandschuhe gegen Wärme nach EN ISO 13732-1 und gegen Kälte nach EN ISO 13732-3

Die Schutzhandschuhe müssen bei Arbeiten an Schläuchen, Gasbehältern (z. B. Gaszylinder, Tanks) oder Teilen die sich auf über 60 °C erwärmen über die gesamte Dauer hinweg getragen werden.

3.7 Umgang mit Isoliertgasen und Gasgemischen

SF₆-Gas ist ein Treibhausgas, das im Kyoto-Protokoll gelistet ist. Das SF₆-Gas darf nicht in die Atmosphäre gelangen, sondern muss in geeigneten Behältern gesammelt werden.

Eigenschaften von Isoliertgasen

- Farb- und geruchlos
- Chemisch neutral
- Inert
- Nicht entflammbar
- Schwerer als Luft
- Keine Toxizität
- Nicht ozonschädigend

Detaillierte Angaben befinden sich in der IEC 60376 und IEC 62271-4:2013.

Erstickungsgefahr durch Isoliertgase und Gasgemische

Hohe Konzentrationen von Gasen können zur Erstickung führen, da beim Einatmen von Gas die Atemluft aus den Lungen verdrängt wird.

Da SF₆-Gas schwerer ist als Luft, sammelt es sich insbesondere in Bodennähe oder tiefer gelegenen Räumen unterhalb des Bezugsniveaus an (z. B. Kellerräume). Dies ist besonders gefährlich, da SF₆-Gas farb- und geruchlos ist und somit vom Menschen nicht wahrgenommen wird.

Gefährdung durch Zersetzungsprodukte

Isoliergas in elektrischen Anlagen kann durch Lichtbogeneinwirkung Zersetzungsprodukte enthalten:

- Gasförmige Schwefelfluoride
 - Schwefeloxylfluoride
 - Feste staubförmige Metallfluoride, -sulfide und -oxide
 - Fluorwasserstoff
 - Schwefeldioxid
-
- Zersetzungsprodukte können gesundheitsschädlich sein.
 - Durch Einatmen, Verschlucken oder Hautberührung kann es zu einer Vergiftung kommen.
 - Augen, Atmungsorgane oder Haut können gereizt und verätzt werden.
 - Durch Einatmen größerer Mengen kann die Lunge geschädigt werden.

Folgende Sicherheitshinweise beachten, um Gefahren durch Isoliergas zu vermeiden:

- Persönliche Schutzausrüstung tragen.
- Das Sicherheitsdatenblatt des Gaslieferanten lesen.
- Bei großen Leckagen schnell den Ort verlassen.
- Für gute Belüftung sorgen.

3.8 Geltende Normen und Richtlinien

Installation, Errichtung, Inbetriebnahme:

- DGUV Information 213-013 (SF₆-Anlagen und -Betriebsmittel)
- IEC 62271-4:2013 (High-voltage switchgear and controlgear - Part 4: Handling procedures for sulphur hexafluoride (SF₆) and its mixtures)
- IEC 60376:2018 (Specification of technical grade sulphur hexafluoride (SF₆) and complementary gases to be used in its mixtures for use in electrical equipment)
- IEC 60480 (Specifications for the re-use of sulphur hexafluoride (SF₆) and its mixtures in electrical equipment)
- CIGRE report 276, 2005 (Guide for the preparation of customised "Practical SF₆ handling instructions")

Leckagen während des Betriebs:

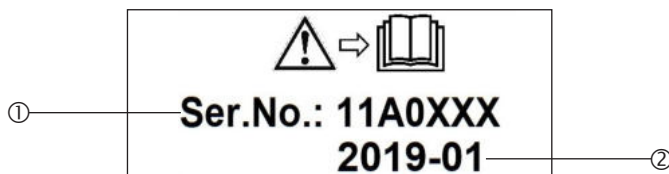
- IEC 60376:2018 (Specification of technical grade sulphur hexafluoride (SF₆) and complementary gases to be used in its mixtures for use in electrical equipment)
- IEC 60480 (Specifications for the re-use of sulphur hexafluoride (SF₆) and its mixtures in electrical equipment)
- CIGRE 2002 („SF₆ gas in the electrical industry“)

Reparaturarbeiten und Wartung:

- IEC 62271-4:2013 (High-voltage switchgear and controlgear - Part 4: Handling procedures for sulphur hexafluoride (SF₆) and its mixtures)
- CIGRE 1991 (Handling of SF₆ and its decomposition products in Gas Insulated Switchgear (GIS))
- CIGRE report 276, 2005 (Guide for the preparation of customised "Practical SF₆ handling instructions")
- CIGRE report 163, 2000 (Guide for SF₆ gas mixtures)

3.9 Beschilderung, Sicherheitskennzeichnungen

Typenschild (Beispiel)



- ① Seriennummer
- ② Herstellungsdatum

Symbolerklärung



Vor Montage und Inbetriebnahme des Gerätes unbedingt die Betriebsanleitung lesen!

4. Transport, Verpackung und Lagerung

4.1 Transport

Den Gasdetektor auf eventuell vorhandene Transportschäden untersuchen.
Offensichtliche Schäden unverzüglich mitteilen.

DE



VORSICHT!

Beschädigungen durch unsachgemäßen Transport

Bei unsachgemäßem Transport können Sachschäden in erheblicher Höhe entstehen.

- ▶ Beim Abladen der Packstücke bei Anlieferung sowie innerbetrieblichem Transport vorsichtig vorgehen und die Symbole auf der Verpackung beachten.
- ▶ Bei innerbetrieblichem Transport die Hinweise unter Kapitel 4.2 „Verpackung und Lagerung“ beachten.

4.2 Verpackung und Lagerung

Verpackung erst unmittelbar vor der Montage entfernen.

Die Verpackung aufbewahren, denn diese bietet bei einem Transport einen optimalen Schutz (z. B. wechselnder Einbauort, Reparatursendung).

Zulässige Bedingungen am Lagerort:

- Lagertemperatur: 0 ... 70 °C
- Luftfeuchte: 35 ... 85 % relative Feuchte (keine Betauung)

Folgende Einflüsse vermeiden:

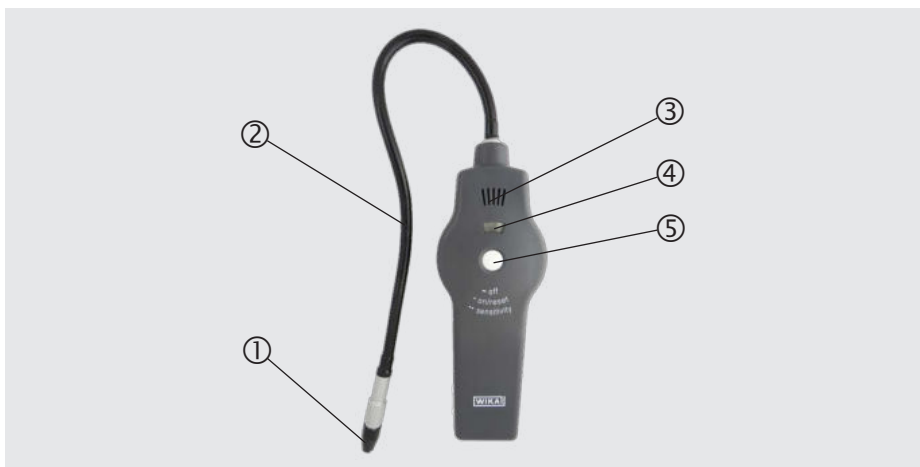
- Direktes Sonnenlicht oder Nähe zu heißen Gegenständen
- Mechanische Vibration, mechanischer Schock (hartes Aufstellen)
- Ruß, Dampf, Staub und korrosive Gase
- Explosionsgefährdete Umgebung, entzündliche Atmosphären

Das Gerät in der Originalverpackung an einem Ort lagern, der die oben gelisteten Bedingungen erfüllt. Wenn die Originalverpackung nicht vorhanden ist, dann das Gerät wie folgt verpacken und lagern:

1. Das Gerät in eine antistatische Plastikfolie einhüllen.
2. Das Gerät mit dem Dämmmaterial in der Verpackung platzieren.
3. Bei längerer Einlagerung (mehr als 30 Tage) einen Beutel mit Trocknungsmittel der Verpackung beilegen.

5. Inbetriebnahme, Betrieb

5.1 Übersicht



Legende

- ① Sensor
- ② Schwanenhals
- ③ Lautsprecher
- ④ LED
- ⑤ Bedienknopf

5.2 Ein- und ausschalten

Einschalten

1. Den Bedienknopf (5) einmal drücken, um das Gerät einzuschalten.
⇒ Die LED blinkt orange.
2. Automatische Einstellung läuft.
⇒ Die LED blinkt weiterhin orange, bis der Vorgang abgeschlossen ist.
3. Automatische Einstellung ist abgeschlossen.
⇒ Die LED blinkt periodisch grün.
⇒ Der Lautsprecher initiiert einen hellen Ton.
⇒ Der Gasdetektor ist betriebsbereit.

Ausschalten

Den Bedienknopf (5) 3 Sekunden drücken, bis das Gerät kein Geräusch mehr erzeugt und die LED erloschen ist. Der Gasdetektor schaltet sich bei Nichtgebrauch nach ca. 5 Minuten aus, um die Batterien zu schonen.

5.3 Sensitivitätsstufe einstellen

Der Typ GPD-1000 besitzt eine Standard- und eine hohe Sensitivitätsstufe, die während des Betriebes mithilfe des Bedienknopfes (doppelt drücken) gewechselt werden kann. Die Standardsensitivität eignet sich für die Erfassung der meisten Leckagen mit einer Sensitivität von 14 g/Jahr. Falls es sich um eine kleine Leckage handelt, ist es möglich, die Sensitivität auf 3 g/Jahr einzustellen.

DE

Standardsensitivität einstellen

1. Sicherstellen, dass das Gerät betriebsbereit ist (→ siehe Kapitel 5.2 „Ein- und ausschalten“).
2. Den Bedienknopf (5) einmal drücken, um die Sensitivität des Gerätes auf die aktuelle Umgebung anzupassen.
 - ⇒ Die LED blinkt kurz orange.
 - ⇒ Die Standardsensitivität ist bestätigt.
 - ⇒ Leckagen unterhalb der angepassten Sensitivität werden nun ignoriert.

Hohe Sensitivität einstellen

1. Sicherstellen, dass die Standardsensitivität bereits eingestellt ist.
2. Den Bedienknopf (5) doppelt drücken um die Sensitivität für die Erfassung kleiner Leckagen einzustellen.
 - ⇒ Die LED blinkt kurz orange und dann wieder grün.
 - ⇒ Parallel dazu erklingt ein hoher Ton.
 - ⇒ Hohe Sensitivität ist bestätigt.
 - ⇒ Kleine Mengen austretenden SF₆-Gases können nun erfasst werden.

5.4 Leckagen erfassen

Für das korrekte Erfassen von SF₆- und Alternativgasen muss der Sensor in die Nähe der zu prüfenden Stellen gehalten werden (ca. 1 bis 2 cm Abstand). Dabei sollte der Sensor in einer Geschwindigkeit von etwa 5 cm pro Sekunde zur vermuteten Stelle geführt werden. Die erfolgreiche Detektion einer Leckage erfolgt gleichzeitig akustisch sowie visuell. In Abhängigkeit der Menge des erfassten Gases erhöht sich proportional die Frequenz und die Höhe des ausgegebenen Tones, sowie das Blinken der Anzeige.

5.5 Batterien

Batterien einsetzen/auswechseln

1. Das Gerät ausschalten (→ siehe Kapitel 5.2 „Ein- und ausschalten“).
2. Vorsichtig die Batterieschutzabdeckung auf der Rückseite des Gerätes entfernen.
 - Bei diesem Vorgang kann der enthaltene Ersatzsensor aus dem Batteriefach fallen.
3. Zwei AA-Batterien unter Berücksichtigung der Polarität einfügen.
4. Die Batterieschutzabdeckung wieder schließen.

Batteriestand prüfen

Die im Gerät eingebaute LED signalisiert während des Betriebs den aktuellen Batteriestand. Dabei nimmt die LED unterschiedliche Farben und Signalvarianten an:

- Die LED blinkt grün: Batterien sind geladen
- Die LED blinkt orange: Batterien sollten gewechselt werden
- Die LED leuchtet rot: Batterien sind fast leer
⇒ Zusätzlich gibt der Lautsprecher einen 5 Sekunden langen Alarm aus, bevor sich der Gasdetektor ausschaltet.

5.6 Sensor

Allgemein

Der Sensor besitzt eine Lebensdauer von 25 bis 30 Stunden bei kontinuierlicher Verwendung. Falls der Sensor gewechselt werden muss, äußert sich das wie folgt:

1. Der Gasdetektor signalisiert fehlerhafte oder unmögliche Messresultate selbst an reiner Luft.
2. Der angebrachte Lautsprecher gibt ein konstantes Sirengeräusch aus.



Falls der Sensor einer gleichartigen Gaskonzentration für mehr als 120 Sekunden ausgesetzt ist, kann beim Gasdetektor ein Gewöhnungseffekt auftreten, welcher das Messresultat beeinflusst. Um diesen Effekt vorzubeugen oder zu eliminieren, sollte der Gasdetektor neugestartet oder in einer nicht kontaminierten Umgebung platziert werden (kein SF₆- oder Alternativgas).

Sensor austauschen

1. Sicherstellen, dass das Gerät ausgeschaltet ist (→ siehe Kapitel 5.2 „Ausschalten“).
2. Die Batterieschutzabdeckung entfernen und den enthaltenen Ersatzsensor entnehmen.
3. Den verbrauchten/defekten Sensor von der Spitze der Messsonde abschrauben (gegen den Uhrzeigersinn).
4. Ersatzsensor auf die Spitze der Messsonde aufschrauben (im Uhrzeigersinn).

6. Störungen



VORSICHT!

Körperverletzungen, Sach- und Umweltschäden

Können Störungen mit Hilfe der aufgeführten Maßnahmen nicht beseitigt werden, Gerät unverzüglich außer Betrieb setzen.

- ▶ Sicherstellen, dass kein Druck bzw. Signal mehr anliegt und gegen versehentliche Inbetriebnahme schützen.
- ▶ Kontakt mit dem Hersteller aufnehmen.
- ▶ Bei notwendiger Rücksendung die Hinweise unter Kapitel 8.2 „Rücksendung“ beachten.

DE



Kontaktdaten siehe Kapitel 1 “Allgemeines” oder Rückseite der Betriebsanleitung.

Störungen	Ursachen	Maßnahmen
Die LED blinkt abwechselnd rot-grün und ein akustischer Alarm erklingt.	Sensor ist beschädigt.	Den beschädigten Sensor entfernen und Ersatzsensor einsetzen (→ siehe Kapitel 5.6 „Sensor“).
Die LED leuchtet rot und ein akustisches Signal ertönt für 5 Sekunden.	Batteriezustand ist zu schwach.	Alte Batterien durch neue AA-Batterien ersetzen (→ siehe Kapitel 5.5 „Batterien“).

7. Wartung, Reinigung

7.1 Wartung

Dieser Gasdetektor ist wartungsfrei.

Reparaturen sind ausschließlich vom Hersteller durchzuführen.

Ausgenommen ist der Austausch der Batterien oder des Sensors.

7.2 Reinigung



VORSICHT!

Körperverletzungen, Sach- und Umweltschäden

Eine unsachgemäße Reinigung führt zu Körperverletzungen, Sach- und Umweltschäden. Messstoffreste im ausgebauten Gerät können zur Gefährdung von Personen, Umwelt und Einrichtung führen.

- ▶ Reinigungsvorgang wie folgt beschrieben durchführen.

Geeignete Reinigungsmittel

- Wasser
- Handelsüblicher Geschirrspüler

Gerät reinigen

1. Vor der Reinigung das Gerät ausschalten.
2. Das Gerät mit einem weichen feuchten Tuch reinigen.



VORSICHT!

Ungeeignete Reinigungsmittel

Eine unsachgemäße Reinigung führt zur Beschädigung des Gerätes!

- ▶ Keine aggressiven Reinigungsmittel verwenden.
- ▶ Keine harten und spitzen Gegenstände zur Reinigung verwenden.
- ▶ Keine scheuernden Tücher oder Schwämme verwenden

8. Demontage, Rücksendung und Entsorgung

8.1 Demontage



WARNUNG!

Körperverletzungen, Sach- und Umweltschäden durch gefährliche Zersetzungsprodukte

Bei Kontakt mit gefährlichen Messstoffen (z. B. Sauerstoff, Acetylen, brennbaren oder giftigen Stoffen), gesundheitsgefährdenden Messstoffen (z. B. ätzend, giftig, krebserregend, radioaktiv) sowie bei Kälteanlagen, Kompressoren besteht die Gefahr von Körperverletzungen, Sach- und Umweltschäden.

- ▶ Notwendige Schutzausrüstung tragen (siehe Kapitel 3.6 „Persönliche Schutzausrüstung“).

8.2 Rücksendung

Beim Versand des Gerätes unbedingt beachten:

Alle an WIKA gelieferten Geräte müssen frei von Gefahrstoffen (Säuren, Laugen, Lösungen, etc.) sein und sind daher vor der Rücksendung zu reinigen.

Zur Rücksendung des Gerätes die Originalverpackung oder eine geeignete Transportverpackung verwenden.

8. Demontage, Rücksendung und Entsorgung

Um Schäden zu vermeiden:

1. Das Gerät in eine antistatische Plastikfolie einhüllen.
2. Das Gerät mit dem Dämmmaterial in der Verpackung platzieren.
Zu allen Seiten der Transportverpackung gleichmäßig dämmen.
3. Wenn möglich einen Beutel mit Trocknungsmittel der Verpackung beifügen.
4. Sendung als Transport eines hochempfindlichen Messgerätes kennzeichnen.

DE



Hinweise zur Rücksendung befinden sich in der Rubrik „Service“ auf unserer lokalen Internetseite.

8.3 Entsorgung

Durch falsche Entsorgung können Gefahren für die Umwelt entstehen.

Gerätekomponenten und Verpackungsmaterialien entsprechend den landesspezifischen Abfallbehandlungs- und Entsorgungsvorschriften umweltgerecht entsorgen.



Nicht mit dem Hausmüll entsorgen. Für eine geordnete Entsorgung gemäß nationaler Vorgaben sorgen.

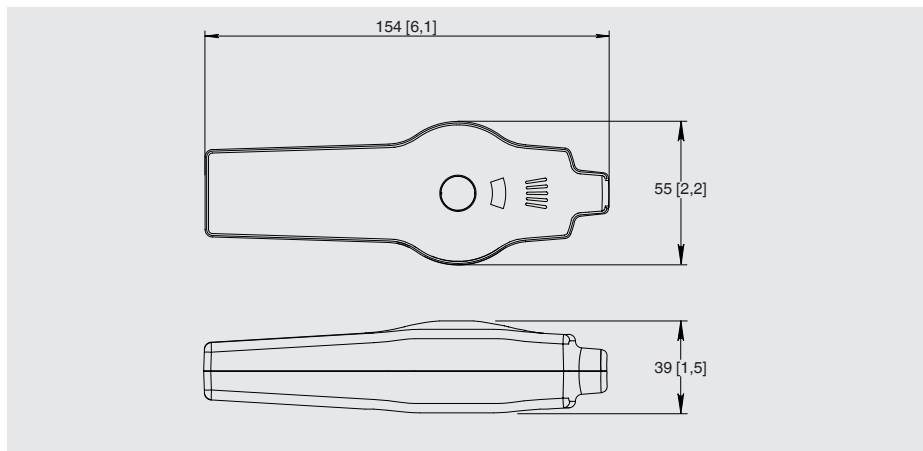
9. Technische Daten

Technische Daten

Technische Daten	
Abmessung	154 x 39 x 55 mm [6,1 x 1,5 x 2,2 in]
Gewicht	190 g
Batterien	2 x AA Batterien
Betriebsdauer	40 Stunden
Empfindlichkeit	< 3g/Jahr [0,1 oz/yr]
Betriebsdauer Sensor	ca. 30 Stunden
Betriebstemperatur	0 ... 50 °C [32 ... 122 °F]
Aufwärmzeit	< 2 Sekunden
Reaktionszeit	Sofort
Resetzeit	Sofort
Sensorverlängerung	300 mm [11,8 in]
Garantie	2 Jahre
Anwendungsgebiet	Leckagenerkennung
Nachweisgrenze	3 ppm _v
Batterielebensdauer	35 Stunden

DE

Abmessungen in mm [in]



10. Zubehör

10. Zubehör

Beschreibung	Bestellnummer
Ersatzsensor	14291469

DE

WIKA-Zubehör finden Sie online unter www.wika.de.

Sommaire

1. Généralités	40
2. Conception et fonction	41
2.1 Vue générale	41
2.2 Description	41
2.3 Détail de la livraison	42
3. Sécurité	42
3.1 Explication des symboles	42
3.2 Utilisation conforme à l'usage prévu	43
3.3 Utilisation inappropriée	43
3.4 Responsabilité de l'opérateur	44
3.5 Qualification du personnel	44
3.6 Equipement de protection individuelle	45
3.7 Manipulation de gaz isolants et de mélanges gazeux	45
3.8 Normes et directives valides	46
3.9 Etiquetage, marquages de sécurité	47
4. Transport, emballage et stockage	48
4.1 Transport.	48
4.2 Emballage et stockage	48
5. Mise en service, utilisation	49
5.1 Vue générale	49
5.2 Allumage et extinction	49
5.3 Réglage du niveau de sensibilité.	50
5.4 Détection de fuites	50
5.5 Piles	50
5.6 Capteur	51
6. Dysfonctionnements	52
7. Entretien, nettoyage	52
7.1 Entretien	52
7.2 Nettoyage	52
8. Démontage, retour et mise au rebut	53
8.1 Démontage	53
8.2 Retour.	53
8.3 Mise au rebut	54
9. Spécifications	55
10. Accessoires	56

1. Généralités

- Le détecteur de présence de gaz décrit dans le mode d'emploi est conçu et fabriqué selon les dernières technologies en vigueur. Tous les composants sont soumis à des exigences environnementales et de qualité strictes durant la fabrication. Nos systèmes de gestion sont certifiés selon ISO 9001 et ISO 14001.
- Ce mode d'emploi donne des indications importantes concernant l'utilisation de l'instrument. Il est possible de travailler en toute sécurité avec ce produit en respectant toutes les consignes de sécurité et d'utilisation.
- Respecter les prescriptions locales de prévention contre les accidents et les prescriptions générales de sécurité en vigueur pour le domaine d'application de l'instrument.
- Le mode d'emploi fait partie de l'instrument et doit être conservé à proximité immédiate de l'instrument et accessible à tout moment pour le personnel qualifié. Confier le mode d'emploi à l'utilisateur ou propriétaire ultérieur de l'instrument.
- Le personnel qualifié doit, avant de commencer toute opération, avoir lu soigneusement et compris le mode d'emploi.
- Les conditions générales de vente mentionnées dans les documents de vente s'appliquent.
- Sous réserve de modifications techniques.
- Pour obtenir d'autres informations :

2. Conception et fonction

2.1 Vue générale



- ① Col de cygne flexible
- ② Touche de contrôle
- ③ Boîtier
- ④ Capteur
- ⑤ Couvercle de transport

2.2 Description

Le détecteur de présence de gaz type GPD-1000 est utilisé pour la détection des concentrations les plus faibles de gaz SF₆ et de gaz alternatif et est donc idéal pour détecter l'endroit d'une fuite. Pendant le fonctionnement, la taille approximative des fuites peut être quantifiée par un signal audio.

La détection de fuites avec cette unité s'effectue par un col de cygne, lui-même muni d'une entrée de gaz à l'avant. Une extrémité de capteur interchangeable assure que l'instrument soit bien disponible à tout moment. La pompe située dans le boîtier de la console permet un flux continu du mélange de gaz qui est aspiré par le capteur de l'instrument. Le détecteur de présence de gaz est conçu pour avertir le personnel d'une présence accrue de concentrations de gaz SF₆ ou de gaz alternatif et pour localiser des fuites plus importantes dans des applications à l'intérieur et en plein air. Au moyen d'alarmes visuelles et sonores, il peut empêcher l'opérateur d'être exposé à des concentrations élevées et inadmissibles de gaz SF₆ et de gaz alternatif dans l'atmosphère.

Caractéristiques principales

- Affichage des concentrations de gaz SF₆ et de gaz alternatif dans l'environnement via des signaux acoustiques ou visuels
- Manipulation simple et bonne opérabilité
- Peu ou pas d'entretien

2.3 Détail de la livraison

- Détecteur de présence de gaz, type GPD-1000
- Mode d'emploi
- Capteur de recharge dans le compartiment de piles

FR

Comparer le détail de la livraison avec le bordereau de livraison.

3. Sécurité

3.1 Explication des symboles



DANGER !

... indique une situation dangereuse pouvant entraîner la mort ou des blessures graves si elle n'est pas évitée.



AVERTISSEMENT !

... indique une situation présentant des risques susceptibles de provoquer la mort ou des blessures graves si elle n'est pas évitée.



ATTENTION !

... indique une situation potentiellement dangereuse et susceptible de provoquer de légères blessures ou des dommages à l'équipement ou l'environnement si elle n'est pas évitée.



Information

... met en exergue les conseils et recommandations utiles de même que les informations permettant d'assurer un fonctionnement efficace et normal.

3.2 Utilisation conforme à l'usage prévu

Le détecteur de présence de gaz type GPD-1000 convient pour la localisation et la quantification de fuites sur des équipements remplis de gaz SF₆ ou de gaz alternatif.

La sécurité opérationnelle est donc assurée seulement lorsque l'instrument est utilisé pour la détection de gaz SF₆ ou de gaz alternatif. L'instrument ne doit jamais entrer en contact avec des gaz ou des liquides agressifs.

Utiliser l'instrument uniquement dans des applications qui se trouvent dans les limites de ses performances techniques (par exemple température ambiante maximale, compatibilité de matériau, ...).

→ Pour les limites de performance voir chapitre 9 "Spécifications"

L'instrument ne doit pas être utilisé en zones explosives !

Le détecteur de présence de gaz type GPD-1000 est conçu et construit exclusivement pour l'usage prévu décrit ici, et ne doit être utilisé qu'à cet effet.

Les spécifications techniques mentionnées dans ce mode d'emploi doivent être respectées. En cas d'utilisation non conforme ou de fonctionnement de l'instrument en dehors des spécifications techniques, un arrêt et contrôle doivent être immédiatement effectués par un collaborateur autorisé du service de WIKA.

Aucune réclamation ne peut être recevable en cas d'utilisation non conforme à l'usage prévu.

3.3 Utilisation inappropriée



AVERTISSEMENT !

Blessures causées par une utilisation inappropriée

Une utilisation inappropriée peut conduire à des situations dangereuses et à des blessures.

- ▶ S'abstenir de modifications non autorisées sur l'instrument
- ▶ Ne pas utiliser l'instrument en zone explosive.

En particulier, éviter l'absorption de tout type de liquide. Ceci va endommager le capteur.

Toute utilisation différente ou au-delà de l'utilisation prévue est considérée comme inappropriée.

3.4 Responsabilité de l'opérateur

L'instrument est prévu pour un usage dans le domaine industriel. L'opérateur est de ce fait responsable des obligations légales en matière de sécurité du travail.

Les instructions de sécurité de ce mode d'emploi comme les réglementations liées à la sécurité, à la prévention des accidents et à la protection de l'environnement pour le domaine d'application doivent être respectées.

L'opérateur doit s'assurer que la plaque signalétique reste lisible.

FR

Afin de travailler en toute sécurité sur l'instrument, la société exploitante doit s'assurer

- qu'un équipement de premier secours adapté est disponible et que les premiers soins peuvent être dispensés sur place à tout moment en cas de besoin.
- que le personnel de service soit formé à intervalles réguliers sur tous les sujets concernant la sécurité du travail, les premiers secours et la protection de l'environnement et qu'il connaît le mode d'emploi et particulièrement les consignes de sécurité contenues dans celui-ci.
- que l'instrument est adapté à l'application en respect de l'usage prévu de l'instrument.
- qu'un équipement de protection individuelle est disponible.

3.5 Qualification du personnel



AVERTISSEMENT !

Danger de blessure en cas de qualification insuffisante

Une utilisation non conforme peut entraîner d'importants dommages corporels et matériels.

- ▶ Les opérations décrites dans ce mode d'emploi ne doivent être effectuées que par un personnel ayant la qualification décrite ci-après.

Personnel qualifié

Le personnel qualifié, autorisé par l'opérateur, est, en raison de sa formation spécialisée, de ses connaissances dans le domaine de l'instrumentation de mesure et de régulation et de son expérience, de même que de sa connaissance des réglementations nationales et des normes en vigueur, en mesure d'effectuer les travaux décrits et d'identifier de façon autonome les dangers potentiels.

En particulier lors de l'utilisation de gaz SF₆

L'opérateur des installations doit s'assurer que la manipulation du gaz SF₆ est effectuée seulement par une entreprise qualifiée ou par du personnel qualifié ayant suivi une formation spéciale conformément à la norme CEI 62271-4:2013 ou CEI 60480, section 10.3.1.

3.6 Equipement de protection individuelle

L'équipement de protection individuelle sert à protéger le personnel qualifié contre les dangers pouvant entraver la sécurité et la santé de ce dernier durant le travail. Le personnel qualifié doit porter l'équipement de protection individuelle lors de l'exécution des différents travaux sur et avec l'instrument.

Respecter les indications concernant l'équipement de protection individuelle dans la zone de travail !

L'équipement de protection individuelle requis doit être mis à disposition par l'utilisateur.

FR



Lunettes de sécurité en conformité avec EN 166, classe 2, résistance mécanique classe S

Les lunettes de sécurité doivent être portées sur toute la période de travail sur les flexibles et les conteneurs de gaz (par exemple bouteilles de gaz, cuves). Les lunettes de sécurité protègent les yeux de toutes les particules volantes, le gaz qui s'échapperait et les éclaboussures.



Gants de protection contre la chaleur en conformité avec EN ISO 13732-1 et contre le froid en conformité avec EN ISO 13732-3

Les gants de protection doivent être portés sur toute la période de travail sur les flexibles et les conteneurs de gaz (par exemple bouteilles de gaz, cuves) ou sur les composants qui dépassent 60 °C.

3.7 Manipulation de gaz isolants et de mélanges gazeux

Le gaz SF₆ est un gaz à effet de serre figurant dans le Protocole de Kyoto. Le gaz SF₆ ne doit pas s'échapper dans l'atmosphère, mais doit être récupéré dans des containers adéquats.

Propriétés des gaz isolants

- Sans odeur et sans couleur
- Neutre chimiquement
- Inerte
- Ininflammable
- Plus lourds que l'air
- Non-toxiques
- Ils n'endommagent pas la couche d'ozone

Voir des informations détaillées dans les normes CEI 60376 et CEI 62271-4:2013.

Danger de suffocation causé par des gaz isolants et des mélanges de gaz

De hautes concentrations de gaz peuvent provoquer une asphyxie, car l'air respirable est déplacé depuis les poumons lorsqu'on inhale du gaz.

Comme le gaz SF₆ est plus lourd que l'air, il est collecté, en particulier, au niveau du sol ou de pièces situées à un niveau bas en-dessous du niveau de référence (par exemple des caves). Ceci est particulièrement dangereux, car le gaz SF₆ est incolore et inodore et peut ainsi être imperceptible pour les gens.

Danger causé par des produits de décomposition

Le gaz isolant présent dans des systèmes électriques peut contenir des produits de décomposition générés par les arcs électriques.

- Fluorures de soufre gazeux
 - Hexafluorures de soufre
 - Fluorures de métaux solides et atomisés, sulfures de métal, oxydes de métal
 - Fluorure d'hydrogène
 - Dioxyde de soufre
-
- Les produits de décomposition peuvent être nocifs pour la santé.
 - Ils peuvent provoquer un empoisonnement par inhalation, ingestion ou contact avec la peau.
 - Ils peuvent être irritants pour les yeux, le système respiratoire ou la peau et les brûler.
 - L'inhalation de grandes quantités peut endommager les poumons.

Respecter les instructions de sécurité suivantes pour éviter tout danger provenant du gaz isolant :

- Porter un équipement de protection individuelle.
- Lire la fiche technique de sécurité concernant le matériau éditée par le fournisseur de gaz.
- Dans le cas de fuites importantes, évacuer rapidement la zone.
- Assurer une bonne ventilation.

3.8 Normes et directives valides

Installation, assemblage, mise en service :

- Informations DGUV 213-013 (systèmes et équipement SF₆)
- CEI 62271-4:2013 (Appareillages de commutation et de commande à haute tension - Partie 4 : Procédures de manipulation pour l'hexafluorure de soufre (SF₆) et ses mélanges)
- CEI 60376:2018 (Spécification d'hexafluorure de soufre (SF₆) de qualité technique et des gaz complémentaires devant être utilisés dans ses mélanges pour une utilisation dans des équipements électriques)
- CEI 60480 (Spécifications pour la réutilisation d'hexafluorure de soufre (SF₆) et de ses mélanges dans des équipements électriques)
- Rapport CIGRE 276, 2005 (Guide pour la préparation d'Instructions pratiques pour la manipulation de gaz SF₆” propres au client)

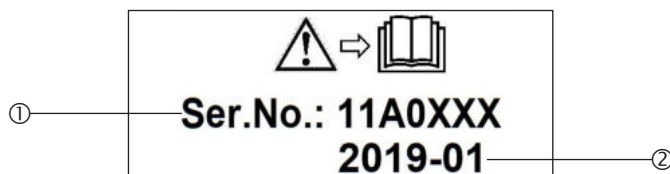
Fuites survenant pendant le travail :

- CEI 60376:2018 (Spécification d'hexafluorure de soufre (SF₆) de qualité technique et des gaz complémentaires devant être utilisés dans ses mélanges pour une utilisation dans des équipements électriques)
- CEI 60480 (Spécifications pour la réutilisation d'hexafluorure de soufre (SF₆) et de ses mélanges dans des équipements électriques)
- CIGRE 2002 (“Le gaz SF₆ dans l'industrie électrique”)

Travaux de réparations et d'entretien :

- CEI 62271-4:2013 (Appareillages de commutation et de commande à haute tension - Partie 4 : Procédures de manipulation pour l'hexafluorure de soufre (SF_6) et ses mélanges)
- CIGRE 1991 (Manipulation de gaz SF_6 et de ses produits de décomposition dans Appareillage de commutation à isolation gazeuse (GIS))
- Rapport CIGRE 276, 2005 (Guide pour la préparation d'“Instructions pratiques pour la manipulation de gaz SF_6 ” propres au client)
- Rapport CIGRE 163, 2000 (Guide pour les mélanges de gaz SF_6)

3.9 Etiquetage, marquages de sécurité



Plaque signalétique (exemple)

- ① Numéro de série
- ② Date de fabrication

Explication des symboles



Lire impérativement le mode d'emploi avant l'installation et la mise en service de l'instrument !

4. Transport, emballage et stockage

4.1 Transport

Vérifier s'il existe des dégâts sur le détecteur de présence de gaz qui pourraient être liés au transport.

Communiquer immédiatement les dégâts constatés.



ATTENTION !

Dommmages liés à un transport inapproprié

Un transport inapproprié peut donner lieu à des dommages importants.

- ▶ Lors du déchargement des colis à la livraison comme lors du transport des colis en interne après réception, procéder avec précaution et respecter les symboles présents sur l'emballage.
- ▶ Lors du transport en interne, observer les instructions du chapitre 4.2 "Emballage et stockage".

4.2 Emballage et stockage

N'enlever l'emballage qu'avant le montage.

Conserver l'emballage, celui-ci offre, lors d'un transport, une protection optimale (par ex. changement de lieu d'utilisation, renvoi pour réparation).

Conditions admissibles sur le lieu de stockage :

- Température de stockage : 0 ... 70 °C
- Humidité de l'air : 35 ... 85 % d'humidité relative (sans condensation)

Eviter les influences suivantes :

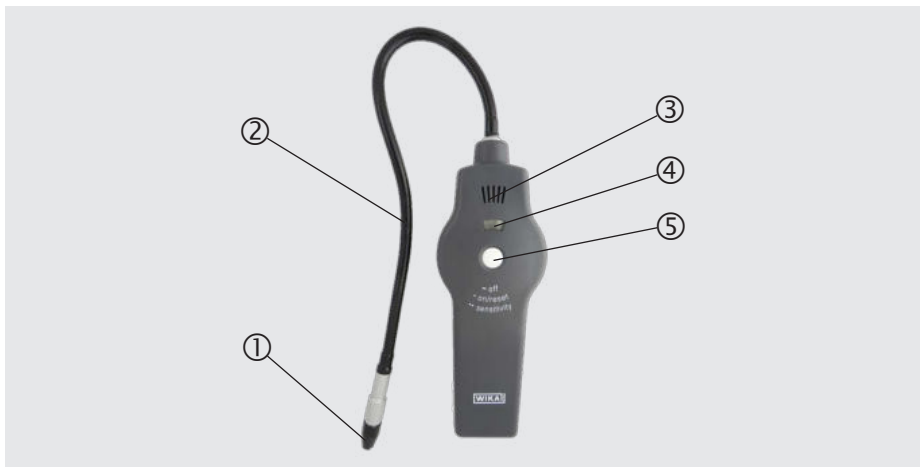
- Lumière solaire directe ou proximité d'objets chauds
- Vibrations mécaniques, chocs mécaniques (mouvements brusques en le posant)
- Suie, vapeur, poussière et gaz corrosifs
- Environnements dangereux, atmosphères inflammables

Conserver l'instrument dans l'emballage original dans un endroit qui satisfait aux conditions susmentionnées. Si l'emballage d'origine n'est pas disponible, emballer et stocker l'instrument comme suit :

1. Emballer l'instrument dans une feuille de plastique antistatique.
2. Placer l'instrument avec le matériau isolant dans l'emballage.
3. En cas d'entreposage pour une longue période (plus de 30 jours), mettre également un sachet absorbant d'humidité dans l'emballage.

5. Mise en service, utilisation

5.1 Vue générale



Légende :

- ① Capteur
- ② Col de cygne
- ③ Haut-parleur
- ④ LED
- ⑤ Touche de contrôle

5.2 Allumage et extinction

Mise sous tension

1. Appuyer une fois sur la touche de commande (5) pour allumer l'instrument.
⇒ La LED clignote en orange.
2. Réglage automatique en cours.
⇒ La LED clignote en orange à nouveau jusqu'à ce que le processus soit terminé.
3. Le réglage automatique est terminé.
⇒ La LED clignote en vert périodiquement.
⇒ Le haut-parleur produit un léger son.
⇒ Le détecteur de présence de gaz est prêt à fonctionner.

Mise hors tension

Presser sur la touche de contrôle (5) pendant 3 secondes jusqu'à ce que l'instrument arrête de produire un quelconque son et que la LED se soit éteinte. Le détecteur de présence de gaz s'éteint de lui-même après environ 5 minutes d'inactivité pour économiser la batterie.

5.3 Réglage du niveau de sensibilité

Le GPD-1000 a un niveau standard et un niveau élevé de sensibilité qui peut être modifié pendant le fonctionnement à l'aide de la touche de commande (double pression). La sensibilité standard convient pour la détection de la plupart des fuites, avec une sensibilité de 14 g/an. En cas de petite fuite, il est possible de régler la sensibilité sur 3 g/an.

Réglage de la sensibilité standard

1. Assurez-vous que l'instrument est bien prêt à fonctionner (→ voir chapitre 5.2 "Allumage et extinction").
2. Appuyer une fois sur la touche de commande (5) pour régler la sensibilité de l'instrument sur l'environnement actuel.
 - ⇒ La LED clignote brièvement en orange.
 - ⇒ La sensibilité standard est confirmée.
 - ⇒ Les fuites se trouvant en-dessous de la sensibilité réglée seront maintenant ignorées.

Réglage de la sensibilité élevée

1. Assurez-vous que la sensibilité standard est déjà réglée.
2. Presser deux fois sur la touche de commande (5) afin de régler la sensibilité pour la détection de plus petites fuites.
 - ⇒ La LED clignote brièvement en orange et revient ensuite au vert.
 - ⇒ En parallèle, un son aigu va retentir.
 - ⇒ La sensibilité élevée est confirmée.
 - ⇒ De faibles quantités de gaz SF₆ qui fuient peuvent maintenant être détectées.

5.4 Détection de fuites

Pour obtenir une détection correcte de gaz SF₆ et de gaz alternatifs, le capteur doit être tenu à proximité des points devant être testés (à une distance d'environ 1 à 2 cm). Le capteur doit être guidé vers l'endroit suspect à une vitesse d'environ 5 cm par seconde. La détection réussie d'une fuite est signalée de manière audible et visible en même temps. En fonction de la quantité des gaz détectés, la fréquence et la hauteur du son qui retentit augmentent, ainsi que le clignotement de l'afficheur.

5.5 Piles

Insérer et remplacer les piles

1. Eteindre l'instrument (→ voir chapitre 5.2 "Allumage et extinction").
2. Retirer soigneusement le couvercle de protection des piles à l'arrière de l'instrument.
 - Pendant cette opération, il est possible que le capteur de remplacement logé à l'intérieur puisse tomber hors du compartiment de piles.
3. Insérer deux piles AA en prenant garde à respecter la bonne polarité.
4. Refermer le couvercle de protection des piles.

Vérification de l'état de la batterie

La LED logée dans l'instrument signale l'état actuel de la batterie pendant le fonctionnement. La LED adopte différentes couleurs et différentes variantes de signal pour ce qui suit :

- La LED clignote en vert : les piles sont chargées
- La LED clignote en orange : il faut changer les piles
- La LED est allumée en rouge : les piles sont presque vides
⇒ En outre, le haut-parleur émet une alarme qui dure 5 secondes, just avant que le détecteur de présence de gaz s'éteigne.

5.6 Capteur

Généralités

Le capteur a une durée de service de 25 à 30 heures en usage continu. Si le capteur doit être changé, c'est indiqué comme suit :

1. Le détecteur de présence de gaz donne des résultats de mesure défectueux ou impossibles, même dans de l'air pur.
2. Le haut-parleur incorporé émet un son de sirène constant.



Si le capteur est exposé à une concentration de gaz similaire pendant plus de 120 secondes, le détecteur de présence de gaz peut s'acclimater à cette teneur, ce qui affecte le résultat de mesure. Pour prévenir ou éliminer cet effet, il faut redémarrer le détecteur de présence de gaz ou le placer dans un environnement non contaminé (sans gaz SF₆ ni gaz alternatif).

Remplacement du capteur

1. Assurez-vous que l'instrument est bien prêt à fonctionner (→ voir chapitre 5.2 "Extinction").
2. Retirer le couvercle de protection des piles et sortir le capteur de recharge contenu à l'intérieur.
3. Dévisser le capteur usé ou défectueux de l'extrémité du capteur de mesure (dans le sens anti-horaire).
4. Visser le capteur de recharge sur l'extrémité du capteur de mesure (dans le sens horaire).

6. Dysfonctionnements



ATTENTION !

Blessures physiques, dommages aux équipements et à l'environnement

Si les défauts ne peuvent pas être éliminés au moyen des mesures listées, l'instrument doit être mis hors service immédiatement.

- ▶ S'assurer que la pression ou le signal n'est plus présent et protéger contre une mise en service accidentelle.
- ▶ Contacter le fabricant.
- ▶ S'il est nécessaire de retourner l'instrument au fabricant, prière de respecter les indications mentionnées au chapitre 8.2 "Retour".

FR



Pour le détail des contacts, merci de consulter le chapitre 1 "Généralités" ou le dos du mode d'emploi.

Dysfonctionnements	Raisons	Mesures
La LED clignote alternativement en rouge et en vert et une alarme sonore retentit.	Le capteur est endommagé.	Retirer le capteur endommagé et insérer un capteur de remplacement (→ voir chapitre 5.6 "Capteur").
La LED brille en rouge et un signal sonore retentit pendant 5 secondes.	Le niveau de batterie est trop faible.	Remplacer les anciennes piles par de nouvelles piles AA (→ voir chapitre 5.5 "Piles").

7. Entretien, nettoyage

7.1 Entretien

Ce détecteur de présence de gaz ne nécessite pas d'entretien.

Les réparations ne doivent être effectuées que par le fabricant.

Cela ne concerne pas le remplacement des piles ou du capteur.

7.2 Nettoyage



ATTENTION !

Blessures physiques, dommages aux équipements et à l'environnement

Un nettoyage inapproprié peut conduire à des blessures physiques et à des dommages aux équipements ou à l'environnement. Les restes de fluides se trouvant dans les instruments démontés peuvent mettre en danger les personnes, l'environnement ainsi que l'installation.

- ▶ Effectuer la procédure de nettoyage comme décrit ci-dessous.

Agents de nettoyage appropriés

- Eau
- Liquide vaisselle conventionnel

Nettoyage de l'instrument

1. Avant le nettoyage, éteindre l'instrument.
2. Nettoyer l'instrument avec chiffon doux humide.



ATTENTION !

Agents de nettoyage inappropriés peuvent endommager l'instrument

Un nettoyage inapproprié peut endommager l'instrument !

- ▶ Ne pas utiliser de détergents agressifs.
- ▶ Ne pas utiliser d'objets pointus ou durs pour le nettoyage.
- ▶ Ne pas utiliser de chiffons abrasifs ou d'éponges abrasives

FR

8. Démontage, retour et mise au rebut

8.1 Démontage



AVERTISSEMENT !

Blessures physiques et dommages aux équipements et à l'environnement causés par les produits de décomposition dangereux

Lors du contact avec un fluide dangereux (par exemple oxygène, acétylène, substances inflammables ou toxiques), un fluide nocif (par exemple corrosif, toxique, cancérigène, radioactif), et également avec des installations frigorifiques et des compresseurs, il y a un danger de blessures physiques et de dommages aux équipements et à l'environnement.

- ▶ Porter l'équipement de protection requis (voir chapitre 3.6 "Équipement de protection individuelle").

8.2 Retour

En cas d'envoi de l'instrument, il faut respecter impérativement ceci :

Tous les instruments livrés à WIKA doivent être exempts de substances dangereuses (acides, bases, solutions, etc.) et doivent donc être nettoyés avant d'être retournés.

Pour retourner l'instrument, utiliser l'emballage original ou un emballage adapté pour le transport.

8. Démontage, retour et mise au rebut

Pour éviter des dommages :

1. Emballer l'instrument dans une feuille de plastique antistatique.
2. Placer l'instrument avec le matériau isolant dans l'emballage.
Isoler de manière uniforme tous les côtés de l'emballage de transport.
3. Mettre si possible un sachet absorbant d'humidité dans l'emballage.
4. Indiquer lors de l'envoi qu'il s'agit d'un instrument de mesure très sensible à transporter.

FR



Des informations relatives à la procédure de retour sont disponibles sur notre site Internet à la rubrique "Services".

8.3 Mise au rebut

Une mise au rebut inadéquate peut entraîner des dangers pour l'environnement. Éliminer les composants des instruments et les matériaux d'emballage conformément aux prescriptions nationales pour le traitement et l'élimination des déchets et aux lois de protection de l'environnement en vigueur.



Ne pas mettre au rebut avec les ordures ménagères. Assurer une mise au rebut correcte en conformité avec les réglementations nationales.

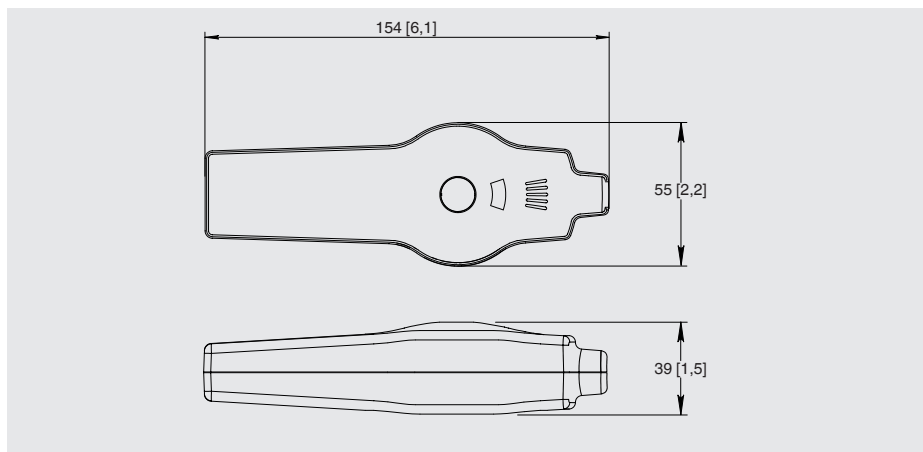
9. Spécifications

Spécifications

Spécifications	
Dimensions	154 x 39 x 55 mm [6,1 x 1,5 x 2,2 pouces]
Poids	190 g
Piles	2 piles AA
Autonomie	40 heures
Sensibilité	< 3g/an [0,1 oz/an]
Autonomie du capteur	Environ 30 heures
Température d'utilisation	0 ... 50 °C [32 ... 122 °F]
Durée de préchauffage	< 2 secondes
Temps de réponse	Immédiatement
Durée de réinitialisation	Immédiatement
Extension de capteur	300 mm [11,8 pouces]
Garantie	2 ans
Domaine d'application	Détection de fuites
Limite de détection	3 ppm _v
Autonomie des piles	35 heures

FR

Dimensions en mm [pouces]



10. Accessoires

10. Accessoires

Description	Code article
Capteur de remplacement	14291469

Les accessoires WIKA se trouvent en ligne sur www.wika.fr.

FR

Contenido

1. Información general	58
2. Diseño y función	59
2.1 Resumen	59
2.2 Descripción	59
2.3 Alcance del suministro	60
3. Seguridad	60
3.1 Explicación de símbolos	60
3.2 Uso conforme a lo previsto	61
3.3 Uso incorrecto	61
3.4 Responsabilidad del usuario	62
3.5 Cualificación del personal	62
3.6 Equipo de protección individual	63
3.7 Manipulación de gases aislantes y mezclas de gases	63
3.8 Normas y directrices válidas	64
3.9 Rótulos, marcajes de seguridad	65
4. Transporte, embalaje y almacenamiento	66
4.1 Transporte	66
4.2 Embalaje y almacenamiento	66
5. Puesta en servicio, funcionamiento	67
5.1 Resumen	67
5.2 Encendido y apagado	67
5.3 Ajuste del nivel de sensibilidad	68
5.4 Detección de fugas	68
5.5 Pilas 68	
5.6 Sensor	69
6. Errores	70
7. Mantenimiento, limpieza	70
7.1 Mantenimiento	70
7.2 Limpieza	70
8. Desmontaje, devolución y eliminación de residuos	71
8.1 Desmontaje	71
8.2 Devolución	71
8.3 Eliminación de residuos	72
9. Datos técnicos	73

ES

1. Información general

- El detector de gas descrito en el manual de instrucciones está diseñado y fabricado según la tecnología más moderna. Todos los componentes están sometidos durante su fabricación a estrictos criterios de calidad y medioambientales. Nuestros sistemas de gestión están certificados según ISO 9001 e ISO 14001.
- Este manual de instrucciones proporciona indicaciones importantes acerca del manejo del instrumento. Para un trabajo seguro, es imprescindible cumplir con todas las instrucciones de seguridad y manejo indicadas.
- Cumplir siempre las normativas sobre la prevención de accidentes y las normas de seguridad en vigor en el lugar de utilización del instrumento.
- El manual de instrucciones es una parte integrante del instrumento y debe guardarse en la proximidad del mismo para que el personal especializado pueda consultarlo en cualquier momento. Entregar el manual de instrucciones al usuario o propietario siguiente del instrumento.
- El personal especializado debe haber leído y entendido el manual de instrucciones antes de comenzar cualquier trabajo.
- Se aplican las condiciones generales de venta incluidas en la documentación de venta.
- Modificaciones técnicas reservadas.
- Para obtener más información consultar:

ES

2. Diseño y función

2.1 Resumen



ES

- ① Cuello de cisne móvil
- ② Botón de control
- ③ Caja
- ④ Sensor
- ⑤ Tapa de transporte

2.2 Descripción

El detector de gas modelo GPD-1000 es óptimo para la detección de concentraciones mínimas de gas SF₆ y de gas alternativo y, por lo tanto, es ideal para la detección de fugas. Durante el funcionamiento se puede cuantificar el volumen aproximado de las fugas mediante una señal acústica.

La detección de fugas con este dispositivo se realiza mediante un cuello de cisne móvil, que a su vez tiene una entrada de gas en la parte delantera. Una punta de sensor intercambiable asegura la disponibilidad del dispositivo en todo momento. La bomba en la caja de la consola procura un caudal continuo de la mezcla de gases aspirada a través del sensor del instrumento. El detector de gas se ha desarrollado para advertir al personal del aumento de presencia de gas SF₆ o de concentraciones de gases alternativos y para detectar fugas mayores en aplicaciones de interior y exterior. Las alarmas visuales y acústicas pueden evitar una exposición del usuario a concentraciones inadmisiblemente altas de gas SF₆ y de gases alternativos en el ambiente.

Características principales

- Indicación de presencia de gas SF₆ y de concentraciones de gases alternativos en el medio ambiente mediante señales acústicas o visuales
- Manipulación sencilla y buen manejo
- Requiere un mantenimiento bajo o nulo

2.3 Alcance del suministro

- Detector de gas modelo GPD-1000
- Manual de instrucciones
- Sensor de repuesto en el compartimento de pilas

ES

Comparar mediante el albarán si se han entregado todas las piezas.

3. Seguridad

3.1 Explicación de símbolos



¡PELIGRO!

... señala una situación inmediatamente peligrosa que causa la muerte o lesiones graves si no se evita.



¡ADVERTENCIA!

... señala una situación probablemente peligrosa que puede causar la muerte o lesiones graves si no se evita.



¡CUIDADO!

... señala una situación probablemente peligrosa que puede causar lesiones leves o medianas o daños materiales y del medio ambiente si no se evita.



Información

... destaca consejos y recomendaciones útiles así como informaciones para una utilización eficiente y libre de errores.

3.2 Uso conforme a lo previsto

El detector de gas modelo GPD-1000 es adecuado para detectar y cuantificar fugas en equipos cargados con gas SF₆ o gas alternativo.

Por tal motivo, la seguridad operacional sólo está garantizada cuando se utiliza el instrumento para detección de gas SF₆ o de gas alternativo. El instrumento nunca debe entrar en contacto con gases o líquidos agresivos.

Utilizar el instrumento únicamente en aplicaciones que están dentro de sus límites de rendimiento técnicos (por ej. temperatura ambiente máxima, compatibilidad de materiales, ...).

→ Para límites de rendimiento, véase el capítulo 9 “Datos técnicos”.

¡Este dispositivo no está homologado para aplicaciones en zonas potencialmente explosivas!

El detector de gas modelo GPD-1000 ha sido diseñado y fabricado únicamente para la finalidad aquí descrita y debe utilizarse en conformidad a la misma.

Cumplir las especificaciones técnicas de este manual de instrucciones. Un manejo no apropiado o una utilización del instrumento no conforme a las especificaciones técnicas requiere la inmediata puesta fuera de servicio y la comprobación por parte de un técnico autorizado por WIKA.

No se admite ninguna reclamación debido a un manejo no adecuado.

3.3 Uso incorrecto



¡ADVERTENCIA!

Lesiones por uso incorrecto

El uso incorrecto del dispositivo puede causar lesiones graves o la muerte.

- ▶ Abstenerse de realizar modificaciones no autorizadas del dispositivo.
- ▶ No utilizar el dispositivo en zonas potencialmente explosivas.

En particular, evitar la entrada de cualquier tipo de líquido. Esto dañará el sensor.

Cualquier uso que no sea el previsto para este dispositivo es considerado como uso incorrecto.

3.4 Responsabilidad del usuario

El dispositivo se utiliza en el sector industrial. Por lo tanto, el usuario está sujeto a las responsabilidades legales para la seguridad en el trabajo.

Se debe cumplir las notas de seguridad en este manual de instrucciones, así como la validez de las normas de seguridad de la unidad, de prevención de accidentes y protección del medio ambiente.

El usuario está obligado a mantener la placa de identificación bien legible.

Para realizar un trabajo seguro en el instrumento, el usuario ha de asegurarse de

- disponer de un kit de primeros auxilios adecuado y de que se preste ayuda siempre que sea necesario.
- los operadores reciban periódicamente instrucciones, sobre todos los temas referidos a seguridad de trabajo, primeros auxilios y protección del medio ambiente, y conozcan además el manual de instrucciones y en particular las instrucciones de seguridad del mismo.
- el instrumento sea adecuado de acuerdo con el uso previsto para la aplicación.
- que el equipo de protección personal esté disponible.

3.5 Cualificación del personal



¡ADVERTENCIA!

Riesgo de lesiones debido a una insuficiente cualificación

Un manejo no adecuado puede causar considerables daños personales y materiales.

- ▶ Las actividades descritas en este manual de instrucciones deben realizarse únicamente por personal especializado con la consiguiente cualificación.

Personal especializado

Debido a su formación profesional, a sus conocimientos de la técnica de regulación y medición así como a su experiencia y su conocimiento de las normativas, normas y directivas vigentes en el país de utilización el personal especializado autorizado por el usuario es capaz de ejecutar los trabajos descritos y reconocer posibles peligros por sí solo.

Especial para aplicaciones con gas SF₆

La empresa operadora debe asegurar que la manipulación del gas SF₆ esté a cargo de una empresa cualificada para ello o de personal capacitado conforme a IEC 62271-4:2013 o IEC 60480, sección 10.3.1.

3.6 Equipo de protección individual

El equipo de protección individual protege al personal especializado contra peligros que puedan perjudicar la seguridad y salud del mismo durante el trabajo. El personal especializado debe llevar un equipo de protección individual durante los trabajos diferentes en y con el instrumento.

¡Cumplir las indicaciones acerca del equipo de protección individual en el área de trabajo!

El usuario debe proporcionar el equipo de protección individual.



Gafas de protección según EN 166 clase 2, resistencia mecánica clase S

Las gafas protectoras deben llevarse todo el tiempo mientras se trabaja con las mangueras o con los depósitos de gas (p. ej. cilindros de gas, depósitos). Las gafas de protección protegen los ojos de piezas desplazadas por el aire, escapes de gas y salpicaduras de líquidos.



Guantes de protección contra el calor según EN ISO 13732-1 y contra el frío según EN ISO 13732-3

Los guantes de protección deben usarse durante toda la duración de los trabajos en las mangueras o depósitos de gas (p. ej. cilindros de gas, depósitos) o en piezas que se calienten por encima de 60 °C.

3.7 Manipulación de gases aislantes y mezclas de gases

El gas SF₆ es un gas de efecto invernadero listado en el protocolo de Kyoto. El gas SF₆ no se debe descargar a la atmósfera, debe recogerse en recipientes adecuados.

Características de los gases aislantes

- Incoloros e inodoros
- Químicamente neutrales
- Inertes
- No inflamables
- Más pesados que el aire
- Sin toxicidad
- No dañan el ozono

Dispone de información detallada en el IEC 60376 e IEC 62271-4:2013.

Peligro de asfixia debido a gases aislantes y mezclas de gases

Elevadas concentraciones de gases pueden producir asfixia, ya que la inhalación del gas expulsa el aire de respiración de los pulmones.

Dado que el gas SF₆ es más pesado que el aire, se acumula sobre todo en las proximidades del piso o en recintos situados debajo del nivel de referencia (p. ej. sótanos). Esto es particularmente peligroso, ya que el gas SF₆ es incoloro e inodoro, por lo que es imperceptible para el ser humano.

Peligro debido a productos de descomposición

Debido a la acción de arcos eléctricos, el gas aislante en instalaciones eléctricas puede contener productos de descomposición:

- Fluoruro de azufre gaseoso
 - Oxifluoruros de azufre
 - Fluoruros metálicos sólidos y atomizados, sulfuros metálicos, óxidos metálicos
 - Fluoruro de hidrógeno
 - Dióxido de azufre
-
- Los productos de descomposición pueden ser nocivos para la salud.
 - La inhalación, la ingestión o el contacto con la piel pueden producir una intoxicación.
 - Los ojos, los órganos respiratorios o la piel pueden sufrir irritaciones y lesiones cáusticas.
 - La inhalación de grandes cantidades puede dañar los pulmones.

Observar las siguientes indicaciones de seguridad para evitar peligros provenientes los gases aislantes:

- Usar equipo de protección individual.
- Leer la hoja de datos de seguridad del proveedor de gas.
- En caso de fugas mayores abandonar de inmediato el lugar.
- Procurar una buena ventilación.

3.8 Normas y directrices válidas

Instalación, montaje, puesta en servicio

- Información DGUV 213-013 (sistemas y equipo de gas SF₆)
- IEC 62271-4:2013 (Equipos de conmutación y control de alta tensión - Parte 4: Procedimientos de manipulación del hexafluoruro de azufre (SF₆) y de sus mezclas)
- IEC 60376:2018 (Especificación del hexafluoruro de azufre de grado técnico (SF₆) y de los gases complementarios que se utilizarán en sus mezclas para el uso en equipos eléctricos)
- IEC 60480 (Especificaciones para la reutilización del hexafluoruro de azufre (SF₆) y de sus mezclas en equipos eléctricos)
- Informe CIGRE 276, 2005 (Guía para la preparación de "Instrucciones prácticas de manejo de gas SF₆" personalizadas)

Fugas durante el funcionamiento:

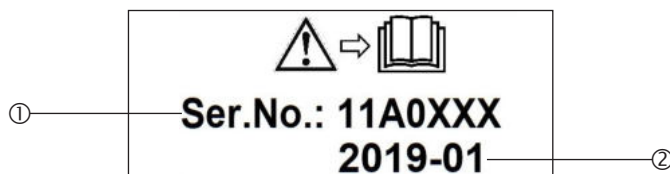
- IEC 60376:2018 (Especificación del hexafluoruro de azufre de grado técnico (SF₆) y de los gases complementarios que se utilizarán en sus mezclas para el uso en equipos eléctricos)
- IEC 60480 (Especificaciones para la reutilización del hexafluoruro de azufre (SF₆) y de sus mezclas en equipos eléctricos)
- CIGRE 2002 („SF₆ gas in the electrical industry“)

Trabajos de reparación y mantenimiento:

- IEC 62271-4:2013 (Equipos de conmutación y control de alta tensión - Parte 4: Procedimientos de manipulación del hexafluoruro de azufre (SF₆) y de sus mezclas)
- CIGRE 1991 (Manejo de gas SF₆ y de sus productos de descomposición en los conmutadores con aislamiento de gas (GIS))
- Informe CIGRE 276, 2005 (Guía para la preparación de "Instrucciones prácticas de manejo de gas SF₆" personalizadas)
- CIGRE report 163, 2000 (Guide for SF₆ gas mixtures)

3.9 Rótulos, marcajes de seguridad

Placa de identificación (ejemplo)



- ① Número de serie
- ② Fecha de fabricación

Explicación de símbolos



¡Es absolutamente necesario leer el manual de instrucciones antes del montaje y la puesta en servicio del instrumento!

4. Transporte, embalaje y almacenamiento

4.1 Transporte

Comprobar si el detector de gas presenta eventuales daños causados durante el transporte.

Notificar daños obvios de forma inmediata.



¡CUIDADO!

Daños debidos a un transporte inadecuado

Transportes inadecuados pueden causar daños materiales considerables.

- ▶ Tener cuidado al descargar los paquetes durante la entrega o el transporte dentro de la compañía y respetar los símbolos en el embalaje.
- ▶ Para el transporte dentro de la compañía, seguir las instrucciones del capítulo 4.2 “Embalaje y almacenamiento”.

4.2 Embalaje y almacenamiento

No quitar el embalaje hasta justo antes del montaje.

Guardar el embalaje ya que es la protección ideal durante el transporte (por. ej. si el lugar de instalación cambia o si se envía el instrumento para posibles reparaciones).

Condiciones admisibles en el lugar de almacenamiento:

- Temperatura de almacenamiento: 0 ... 70 °C
- Humedad del aire: 35 ... 85 % de humedad relativa (sin condensación)

Evitar lo siguiente:

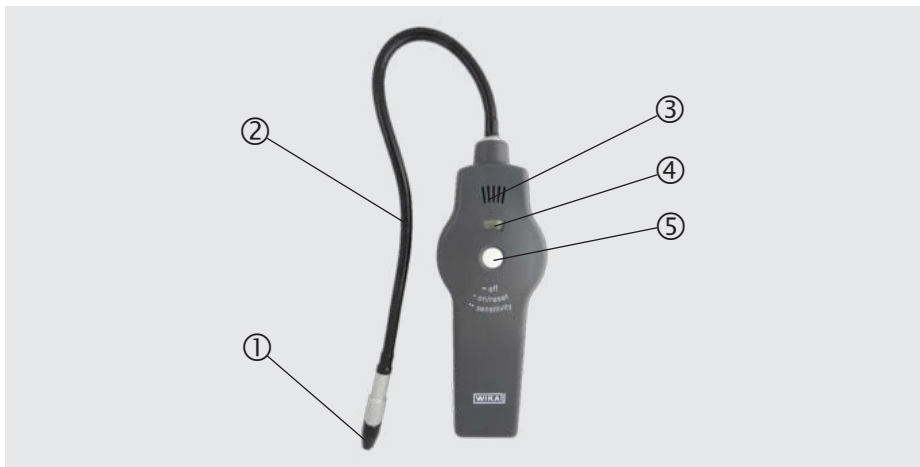
- Luz solar directa o proximidad a objetos calientes
- Vibración mecánica, impacto mecánico (colocación brusca)
- Hollín, vapor, polvo y gases corrosivos
- Entorno potencialmente explosivo, atmósferas inflamables

Almacenar el instrumento en su embalaje original en un lugar que cumple las condiciones arriba mencionadas. Si no se dispone del embalaje original, empaquetar y almacenar el instrumento como sigue:

1. Envolver el instrumento en una lámina de plástico antiestática.
2. Colocar el instrumento junto con el material aislante en el embalaje.
3. Para un almacenamiento prolongado (más de 30 días) meter una bolsa con un secante en el embalaje.

5. Puesta en servicio, funcionamiento

5.1 Resumen



ES

Leyenda

- ① Sensor
- ② Cuello de cisne
- ③ Altavoz
- ④ LED
- ⑤ Botón de control

5.2 Encendido y apagado

Encender

1. Presionar una vez el botón de control (5) para encender el instrumento.
⇒ El LED parpadea en naranja.
2. Ajuste automático en curso.
⇒ El LED parpadea de nuevo en naranja hasta que el proceso ha terminado.
3. El ajuste automático ha terminado.
⇒ El LED parpadea en verde periódicamente.
⇒ El altavoz inicia un tono ligero.
⇒ El detector de gas está listo para funcionar.

Apagado

Presionar el botón de control (5) durante 3 segundos, hasta que el instrumento deje de hacer ruido y el LED se haya apagado. El detector de gas se apaga automáticamente pasados unos 5 minutos de inactividad para ahorrar pilas.

5.3 Ajuste del nivel de sensibilidad

El modelo GPD-1000 tiene un nivel de sensibilidad estándar y otro alto, que se puede cambiar durante el funcionamiento con la ayuda del botón de control (doble pulsación). La sensibilidad estándar es adecuada para la detección de la mayoría de las fugas, con una sensibilidad de 14 g/año. En caso de que haya una pequeña fuga, es posible establecer la sensibilidad a 3 g/año.

Ajustar la sensibilidad estándar

1. Asegurarse de que el instrumento esté listo para funcionar (→ véase el capítulo 5.2 “Encendido y apagado”).
2. Presionar una vez el botón de control (5) para ajustar la sensibilidad del instrumento al entorno actual.
 - ⇒ El LED parpadea brevemente en naranja.
 - ⇒ Sensibilidad estándar confirmada.
 - ⇒ Ahora las fugas por debajo de la sensibilidad establecida no se tendrán en cuenta.

Ajustar la sensibilidad alta

1. Asegurarse de que la sensibilidad estándar ya está fijada.
2. Presionar dos veces el botón de control (5) para ajustar la sensibilidad para la detección de fugas mínimas.
 - ⇒ El LED parpadea brevemente en naranja y luego en verde otra vez.
 - ⇒ Paralelamente, sonará un tono alto.
 - ⇒ Sensibilidad alta confirmada.
 - ⇒ Ahora se pueden detectar pequeños escapes de gas SF₆.

5.4 Detección de fugas

Para una detección correcta de gas SF₆ y de gases alternativos, el sensor debe mantenerse cerca de los puntos de comprobación (distancia de aprox. 1 a 2 cm). Hay que acercarse al sensor al punto sospechoso a una velocidad de aproximadamente 5 cm por segundo. La detección exitosa de una fuga se indica simultáneamente de manera acústica y visual. Dependiendo de la cantidad de gas detectado, aumentan la frecuencia, el timbre del tono y el parpadeo del indicador.

5.5 Pilas

Insertar / sustituir las pilas

1. Apagar el instrumento (véase el capítulo 5.2 “Encendido y apagado”).
2. Retirar cuidadosamente la tapa de protección de las pilas de la parte posterior del instrumento.
 - Durante esta acción, el sensor de repuesto almacenado en el compartimento de las pilas, puede caerse.
3. Insertar dos pilas AA teniendo en cuenta la polaridad.
4. Volver a cerrar la tapa de protección de las pilas.

Comprobar el estado de las pilas

El LED incorporado en el instrumento señala el estado actual de las pilas durante el funcionamiento. El LED adopta diferentes colores y tipos de señal para esto:

- El LED parpadea en verde: Las pilas están cargadas
 - El LED parpadea en naranja: Hay que cambiar las pilas
 - El LED se enciende en rojo: Las pilas están casi descargadas
- ⇒ Además, el altavoz emite una alarma de 5 segundos de duración, justo antes de que el detector de gas se apague.

5.6 Sensor

Información general

El sensor tiene una vida útil de 25 a 30 horas de uso continuo. En caso de que el sensor requiera ser cambiado, se indica de la siguiente manera:

ES

1. El detector de gas indica mediciones erróneas o imposibles, incluso en aire limpio.
2. El altavoz incorporado emite un sonido de sirena constante.



Si el sensor se expone a una concentración de gas similar durante más de 120 segundos, el detector de gas puede aclimatarse a él, afectando al resultado de medición. Para evitar o eliminar este efecto, el detector de gas debe ser reiniciado o colocado en un entorno no contaminado (sin gas SF₆ o alternativo).

Sustitución del sensor

1. **Asegurarse de que el instrumento esté apagado (→ véase el capítulo 5.2 "Apagado").**
2. Retirar la tapa de protección de las pilas y sacar el sensor de repuesto que se encuentra en su interior.
3. Desenroscar el sensor usado / defectuoso de la punta de la sonda de medición (en sentido contrario a las agujas del reloj).
4. Enroscar el sensor de repuesto en la punta de la sonda de medición (en el sentido de las agujas del reloj).

6. Errores



¡CUIDADO!

Lesiones corporales, daños materiales y del medio ambiente

Si no se pueden solucionar los defectos mencionados se debe poner el dispositivo inmediatamente fuera de servicio.

- ▶ Asegurar que el dispositivo no queda expuesto a presión o una señal y protegerlo contra usos accidentales.
- ▶ Contactar el fabricante.
- ▶ En caso de devolución, observar las indicaciones del capítulo 8.2 “Devolución”.

ES



Datos de contacto ver capítulo 1 “Información general” o parte posterior del manual de instrucciones.

Errores	Causas	Medidas
El LED parpadea en rojo-verde alternativamente y suena una alarma audible.	El sensor está dañado.	Retire el sensor dañado e inserte uno de repuesto (→ véase el capítulo 5.6 “Sensor”).
El LED se enciende en rojo y suena una señal audible durante 5 segundos.	El nivel de carga de las pilas es demasiado bajo.	Sustituir las pilas viejas por pilas AA nuevas (→ véase el capítulo 5.5 “Pilas”).

7. Mantenimiento, limpieza

7.1 Mantenimiento

Este detector de gas no necesita mantenimiento.

Todas las reparaciones solamente las debe efectuar el fabricante.

Ésto no aplica a la sustitución de las pilas o del sensor.

7.2 Limpieza



¡CUIDADO!

Lesiones corporales, daños materiales y del medio ambiente

Una limpieza inadecuada provoca lesiones corporales, daños materiales y del medio ambiente. Medios residuales en el instrumento desmontado pueden causar riesgos para personas, medio ambiente e instalación.

- ▶ Realizar el proceso de limpieza tal como se describe a continuación.

Productos de limpieza adecuados

- Agua
- Detergente lavavajillas habitual

Limpiar el dispositivo

1. Antes de limpiar el instrumento, apáguelo.
2. Limpiar el instrumento con un trapo suave y húmedo.



¡CUIDADO!

Productos de limpieza inadecuados

¡Una limpieza inadecuada puede dañar el dispositivo!

- ▶ No utilizar productos de limpieza agresivos.
- ▶ No utilizar objetos duros o puntiagudos para limpiar.
- ▶ No utilizar trapos o esponjas que puedan restregar

ES

8. Desmontaje, devolución y eliminación de residuos

8.1 Desmontaje



¡ADVERTENCIA!

Lesiones corporales, daños materiales y del medio ambiente causados por productos de descomposición peligrosos

En caso de contacto con medios peligrosos (p. ej. oxígeno, acetileno, inflamables o tóxicos) medios nocivos para la salud (p. ej. corrosivos, tóxicos, cancerígenas radioactivas) y con sistemas de refrigeración o compresores existe el peligro de lesiones corporales, daños materiales y del medio ambiente.

- ▶ Llevar el equipo de protección necesario (véase el capítulo 3.6 “Equipo de protección individual”).

8.2 Devolución

Es imprescindible observar lo siguiente para el envío del instrumento:

Todos los instrumentos enviados a WIKA deben estar libres de sustancias peligrosas (ácidos, lejías, soluciones, etc.) y, por lo tanto, deben limpiarse antes de devolver.

Utilizar el embalaje original o un embalaje adecuado para la devolución del instrumento.

8. Desmontaje, devolución y eliminación de residuos

Para evitar daños:

1. Envolver el instrumento en una lámina de plástico antiestática.
2. Colocar el instrumento junto con el material aislante en el embalaje.
Aislar uniformemente todos los lados del embalaje de transporte.
3. Si es posible, adjuntar una bolsa con secante.
4. Aplicar un marcaje que indique que se trata de un envío de un instrumento de medición altamente sensible.

ES



Las indicaciones de cómo proceder en caso de devolución, se encuentran en el apartado “Servicio” de nuestra página web local.

8.3 Eliminación de residuos

Una eliminación incorrecta puede provocar peligros para el medio ambiente. Eliminar los componentes de los instrumentos y los materiales de embalaje conforme a los reglamentos relativos al tratamiento de residuos y eliminación vigentes en el país de utilización.



No eliminar en las basuras domésticas. Garantizar una eliminación correcta según las prescripciones nacionales.

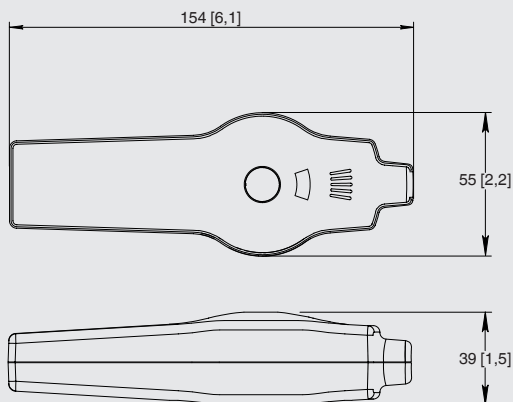
9. Datos técnicos

Datos técnicos

Datos técnicos	
Dimensiones	154 x 39 x 55 mm [6,1 x 1,5 x 2,2 pulg]
Peso	190 g
Pilas	2 pilas AA
Duración de la operación con batería	40 horas
Sensibilidad	< 3g/año [0,1 oz/año]
Tiempo de funcionamiento del sensor	Aprox. 30 horas
Temperatura de servicio	0 ... 50 °C [32 ... 122 °F]
Tiempo de calentamiento	< 2 segundos
Tiempo de respuesta	Inmediato
Tiempo de restablecimiento	Inmediato
Extensión del sensor	300 mm [11,8 pulg]
Garantía	2 años
Campo de aplicación	Detección de fugas
Límite de detección	3 ppm _v
Vida útil de las pilas	35 horas

ES

Dimensiones en mm [pulg]



10. Accesorios

10. Accesorios

Descripción	Código
Sensor de repuesto	14291469

Accesorios WIKA online en www.wika.es.

ES

