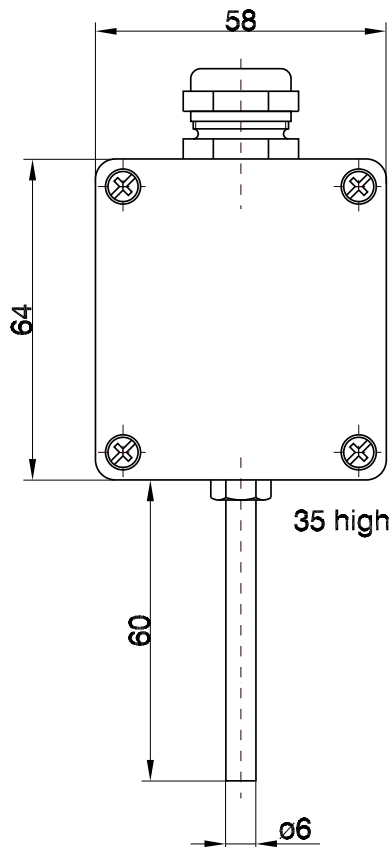


Resistance thermometers  
Roomsensor  
Series IWT351



Resistance thermometer inside a metal case;  
for temperature measurement and -monitoring in cooling-, stock-  
and machinery rooms

**Protection classification**

IP 65 according DIN 60529

**Application temperature**

-40 °C to +120 °C

**Temperatursensor**

1xPt 100 cl. F0,15 (old cl. A) acc. to DIN EN 60751  
1xPt 100 cl. F0,3 (old cl. B) acc. to DIN EN 60751  
2xPt 100 cl. F0,15 (old cl. A) acc. to DIN EN 60751  
2xPt 100 cl. F0,3 (old cl. B) acc. to DIN EN 60751  
on inquiry

**Circuitry**

2 wire circuit  
3 wire circuit  
4 wire circuit for 1xPt100

**Protective tube material**

1.4571  
on inquiry