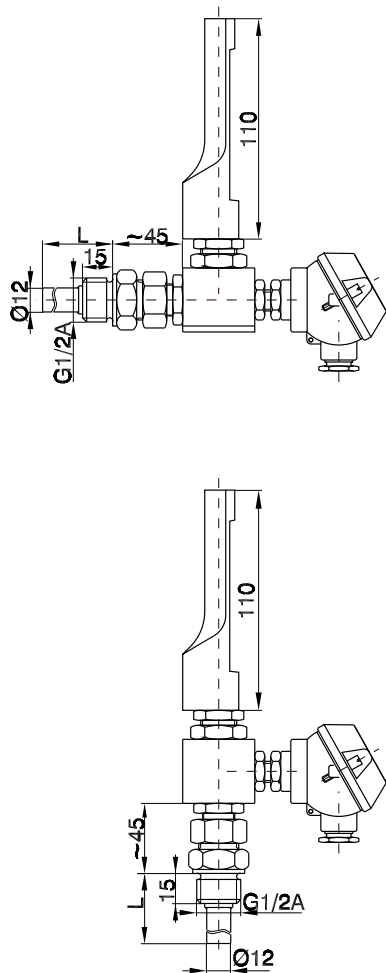


## Resistance thermometers with glass thermometer for displaying Series IWT342



Combination of resistance and glass thermometer for synchronous measuring and displaying of temperatures

### Construction

straight glass thermometer  
angle glass thermometer

### Connection head

Form F according DIN 43 729

### Protection classification

IP 20 according DIN 60529

### Application temperature

0 °C to 60 °C  
0 °C to 120 °C  
0 °C to 200 °C

### Temperatursensor

1xPt 100 cl. F0,3 (old cl. B) acc. to DIN EN 60751

### Circuitry

2 wire circuit  
4 wire circuit

### Protective tube material

1.4571  
Brass

### Insert length $L_1$

63 mm  
100 mm  
160 mm

### Thread

G1/2A  
on inquiry