

## Capsular pressure gauge per EN 837-3, stainless steel chemical design NS 100/160, Type series BA12../BA13..



### Application area

- Machinery construction
- Chemical and petrochemical industry
- General process technology

### Technical data

#### Constructional design / case

Ausführung:	High quality case with bayonet ring per EN 837-1 S1, material: stainless steel mat.-no.-Nr. 1.4301 (304) ; with blow-out device, material: PUR, filling plug, material: PUR
Nominal size:	NS 100 or NS 160
Degree of protection per EN 60529:	<ul style="list-style-type: none"> <li>■ IP 54 for NS 100</li> <li>■ IP 32 for NS 160</li> </ul>
Sealing:	Sealing ring: Elastomer
Window:	Non-splintering laminated glass. Option: Non-splintering plastic (Macrolon)
Measuring element:	Capsule

### Features

- Capsular pressure gauge
- Nominal ranges -2.5...0 mbar to -600...0 mbar, 0...2.5 to 0...600 mbar
- High quality case with bayonet ring NS 100/160 per EN 837-1 S1
- Case of stainless steel
- Measuring element and pressure connection of stainless steel or brass
- Accuracy class 1.6 as per EN 837-3
- Degree of protection IP 54 (NS 100), IP 32 (NS 160)

### Options

- Approvals/Certificates
  - Calibration certificate as per EN 10204
- Mounting: Front flange for flush mounting, rear flange for surface mounting

### Application

Pressure gauge for universal use in gas engineering. With the measuring system design in stainless steel, it is possible to measure aggressive media. Liquids and condensate should not be allowed to enter the measuring system.

Movement: Device with brass pressure connection: Ms/Ns.

Device with stainless steel pressure connection: stainless steel, at nominal range < 25 mbar MS/Ns

Scale: Pure aluminium white, with black inscription.

Option: with red marking or with fixed reference pointer. Special scale upon request.

Pointer: Pure aluminium black, zero point correction at front.

Mounting: Via process connection. Optional with flange for surface mounting or for flush mounting with DIN mounting flange.

Weights:	NS 100:	approx. 0.5 kg
	NS 160:	approx. 0.9 kg

### Process connection

Design: Per EN 837-3, G 1/2 B or 1/2" NPT, bottom or back connection. Further process connections upon request.

### Material wetted parts

Measuring element: Capsule and pressure connection: stainless steel mat.-no. 1.4571 (316Ti) or brass.

### Nominal range

See order details, further ranges upon request

Overload-protection: standard: 1.3 times  
higher overload protection see order details

### Accuracy

Accuracy class: 1.6 per EN 837-3

Temperature influence: Max.  $\pm 0,6\%$  / 10K of measuring span per DIN EN 837-3.

### Temperature ranges

Ambient: -40...60 °C

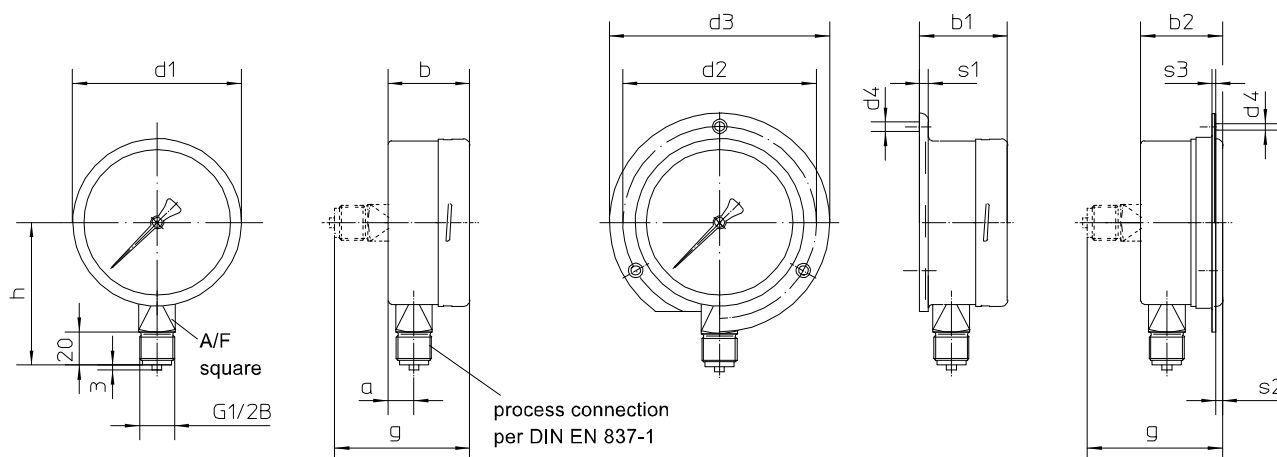
Media: -20...60 °C connection brass  
-20...100 °C connection stainless steel

Storage: -40...70 °C

Extended temperature range upon request

Information on other models see order details or upon request.

## Dimensions



dimensions (mm)																								
case	a	a1	b*	b1**	D	c	c1	c2	c3	d1	d2	d3	G	G1	G2	g**	g1**	h±1	h1±1	s	s1	s2	s3	A/F
NS 100	20	23.5	55	58.5	101	6	5	20	21.5	116	132	4.8	G1/2B	1/2"NPT	M20x1.5	97	98.5	87	84	21	6	2	6	22
NS 160	15.5	19	50.5	54	161	6	5	20	21.5	178	196	5.8	G1/2B	1/2"NPT	M20x1.5	92.5	98.5	115	114	21	6	2	6	22

\* all devices with blow-out: b + 2 mm

\*\* with DN 160, measuring range 2.5...16 mbar: dimension + 5 mm

## Order details

### Capsular pressure gauge per EN 837-3 stainless steel chemical design, NS 100/160, Type series BA12../BA13..

Order details BA12../BA13..			
BA1230	case design	NS 100, IP 54	process connection bottom
BA124			process connection at back
BA1330		NS 160, IP 32	process connection bottom
BA1340			process connection at back

A1...	measuring system	capsule of copper alloy, connection brass	
B2...		capsule of stainless steel, connection stainless steel	
017	nominal range [mbar]	-2.5...0 <sup>1</sup>	
018		-4...0 <sup>1</sup>	
019		-6...0 <sup>1</sup>	
020		-10...0 <sup>1</sup>	
021		-16...0 <sup>1</sup>	
022		-25...0	
023		-40...0	
024		-60...0	
025		-100...0	
026		-160...0	
027		-250...0	
028		-400...0	
029		-600...0	
561		0...2.5 <sup>1</sup>	
001		0...4 <sup>1</sup>	
002		0...6 <sup>1</sup>	
003		0...10 <sup>1</sup>	
004		0...16 <sup>1</sup>	
005		0...25	
006		0...40	
007	0...60		
008	0...100		
009	0...160		
010	0...250		
011	0...400		
012	0...600		
G11	process connection	G1/2 B	
G21		1/2" NPT	

Additional features (to be indicated if required)		
H6	overload protection	3 times
R13	window	Macrolon with adjustable reference pointer
T2	marking	on scale (please specify)
T3		fixe reference pointer (please specify)
V2	mounting	rear flange for surface mounting
V3		front flange for flush mounting
W1204	calibration certificate	per EN 10204-3.1, 3 measuring points
W1201		per EN 10204-3.1, 5 measuring points

Order code (example): BA1230 – A1022 – G21 - ...

<sup>1</sup> for case NS 160 only